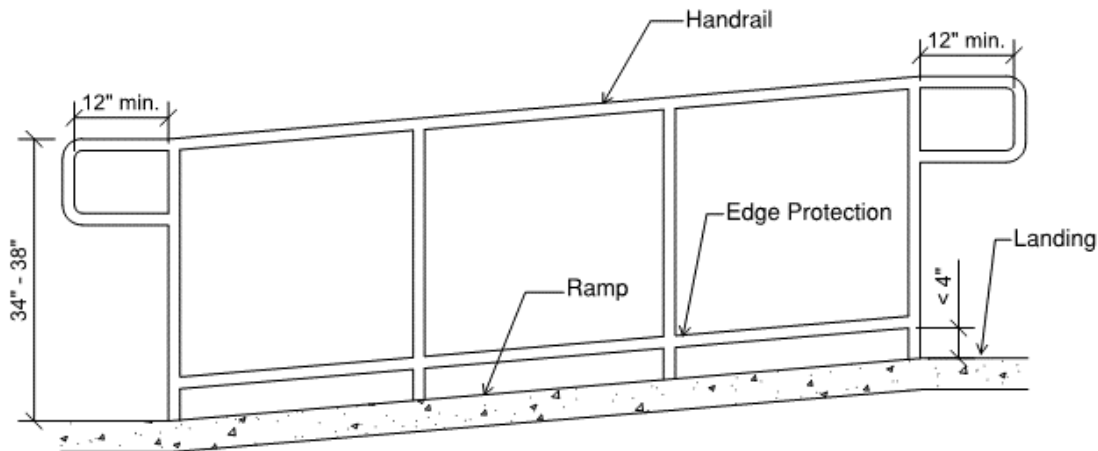


Accessible Ramps and Landings

This Tip Sheet reflects code requirements of the 2018 International Building Code (IBC) and ICC A117.1-2009 with Washington State Amendments.



Ramps

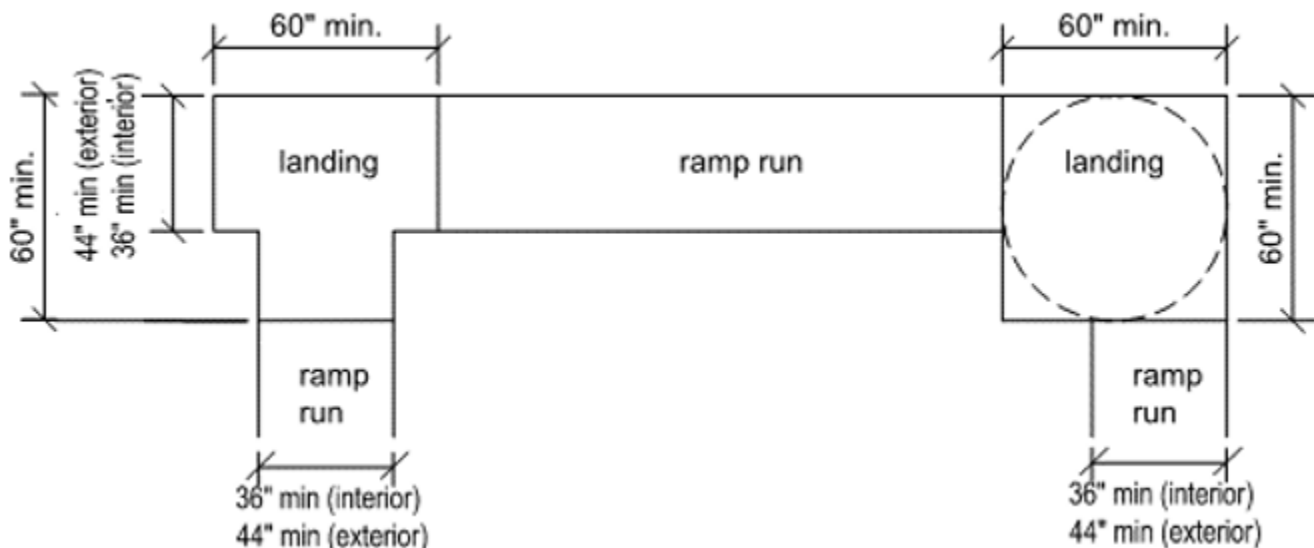
- Slope:** Ramps shall have a maximum slope of 1:12. (ICC 405.2)
- Rise:** The maximum rise for any ramp run is 30 inches. (ICC 405.6)
- Width:** Ramps shall not be less than the required egress width; in no case shall the ramp width be less than 36 inches for interior ramps or 44 inches for exterior ramps, measured between handrails or other projections. (ICC 405.5)
- Surface:** Ramp surfaces shall be stable, firm, and slip resistant.
- Drainage:** Exposed exterior ramps and their approaches shall be constructed to prevent the accumulation of water on walking surfaces. (ICC 405.10)
- Cross Slope:** Ramp cross slopes shall not be steeper than 1:48. (ICC 405.3)
- Headroom:** Headroom shall not be less than 80 inches. (ICC 307.2)

Handrails

- A. **Rise:** Ramps with a rise greater than 6 inches require handrails. (ICC 405.8)
- B. **Height:** Handrails must be between 34 inches minimum and 38 inches maximum in height measured above the walking surface. (IBC 1014.1; ICC 505.4)
- C. **Extension:** Handrails must extend at least 12 inches beyond the top and bottom of any ramp run. (ICC 505.10.1)
- D. **Continuity:** Handrails must be continuous except at points of access along the ramp. (IBC 1014.4; ICC 505.3)

Guards

- Landings or Ramps:** Provide guards for portions of landings or ramps that are more than 30 inches above adjacent grade. (IBC 1015.2)
- Height:** Guards must be a minimum of 42 inches in height measured vertically from the surface of the ramp. (IBC 1015.3)

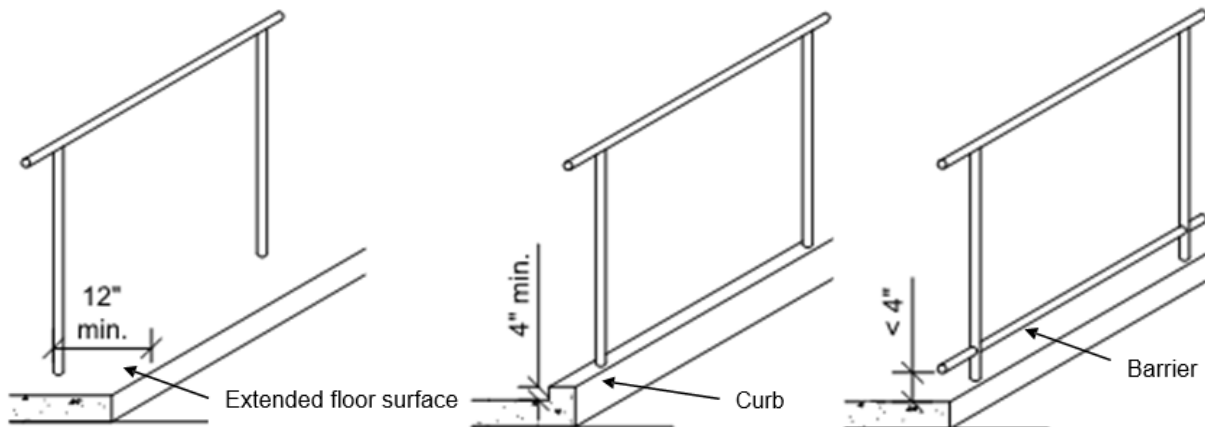


Landings

- Surface:** Ramp surfaces shall be stable, firm and slip resistant.
- Drainage:** Exposed exterior ramps and their approaches shall be constructed to prevent the accumulation of water on walking surfaces. (ICC 405.10)
- Intermediate Landing:** Ramps within the accessible route of travel shall have landings at the top and bottom, points of turning, entrance, exits, and doors and at least one intermediate landing for each 30 inches of rise with a minimum dimension of 60 inches in the direction of the ramp run. (ICC 405.7.3)
- Turning Space:** Ramps that change direction at landings shall have (ICC 405.7.4):
 - Landings sized to provide a circular 60 inches turning space (60 inches by 60 inches), or
 - A T-shaped intersection 60 inches long by 36 inches wide (interior) or 44 inches (exterior).
- Width:** The minimum width of the landing shall be as wide as the widest ramp leading to the landing. (ICC 405.7.2)
- Cross Slope:** Landings shall not have a cross slope more than 1:48. (ICC 405.7.1)
- Doors:** Maneuvering clearances for doors may overlap the landing area where doorways are adjacent to the ramp. (ICC 405.7.5)

Edge Protection

- **Where Required:** Edge protection is required on each side of ramp runs and at each side of ramp landings. (ICC 405.9) Exceptions:
 - Edge protection is not required on ramps that are not required to have handrails, provided they have flared sides complying with ICC 406.3
 - Edge protection is not required on side of ramp serving an adjacent ramp run or stairway
 - Edge protection is not required on sides of ramp landings having a vertical drop-off of not more than 1/2-inch within 10 inches horizontally of the minimum landing area
 - Edge protection shall not be required on the side of the ramped aisles where the ramps provide access to the adjacent seats and aisle access ways
- **An Extended Floor Surface (Option 1):** Extend the floor surface of the ramp run or ramp landing a minimum of 12 inches beyond the inside face of a railing (see the figure below). (ICC 405.9.1)
- **A Curb (Option 2):** Create a curb that is a minimum height of 4 inches (see the figure below). (ICC 405.9.2; ICC 405.9.2.1)
- **A Barrier (Option 3):** Construct a barrier to prevent the passage of a 4-inch diameter sphere where any portion of the sphere is within 4 inches of the floor (see the figure below). (ICC 405.9.2.2)



Edge Protection Options 1, 2, and 3