

BACKFLOW PROTECTION

- A. ALL INDUSTRIAL, COMMERCIAL AND MULTI-FAMILY DWELLING SERVICE CONNECTIONS SHALL HAVE APPROPRIATE BACKFLOW PROTECTION INSTALLED AND MAINTAINED BY OWNER.
- B. ALL RESIDENTIAL SERVICES TO COMBINATION FIRE AND DOMESTIC USE SHALL HAVE DOUBLE CHECK VALVE BACKFLOW ASSEMBLY INSTALLED (EXCEPT RESIDENTIAL WATER FRONT PROPERTIES SHALL HAVE RPPD INSTALLED).
- C. ALL BACKFLOW PREVENTION DEVICES MUST BE TESTED BY A CERTIFIED TESTER AT LEAST ANNUALLY AND IMMEDIATELY AFTER INSTALLATION, RELOCATION OR REPAIR. NO NEW SERVICE SHALL BE DEEMED ACCEPTABLE UNTIL TESTED AND CERTIFIED AFTER INSTALLATION.
- D. ALL BACKFLOW PREVENTION DEVICES MUST BE U.S.C LISTED AND APPROVED BY THE STATE HEALTH DEPARTMENT.
- E. ANY WATER SYSTEM PROVIDED WITH A CHECK VALVE, BACKFLOW PREVENTER, OR ANY OTHER NORMALLY CLOSED DEVICE THAT PREVENTS DISSIPATION OF BUILDING PRESSURE BACK INTO THE WATER MAIN SHALL BE PROVIDED WITH AN APPROVED, LISTED, AND ADEQUATELY SIZED EXPANSION TANK OR OTHER APPROVED DEVICE HAVING A SIMILAR FUNCTION TO CONTROL THERMAL EXPANSION, PER BUILDING DIVISION.
- F. EXISTING FIRE SERVICES REQUIRING REPAIRS SHALL HAVE THE BACKFLOW PROTECTION UPGRADED TO COMPLY WITH STD. PLAN 618, AS A MINIMUM AND SHALL REQUIRE A SUB-APPROVAL/PERMIT CLEARANCE BY A UTILITY CROSS-CONNECTION CONTROL SPECIALIST, AND FIRE DEPARTMENT INSPECTOR. FIRE DEPARTMENT CONNECTION (FDC) SIZE, LOCATION, AND ELEVATION PER FIRE DEPARTMENT REQUIREMENTS AND WILL REQUIRE SEPARATE PERMIT FROM FIRE DEPARTMENT.
- G. AFTER ABANDONMENT AND REMOVAL OF CHECK-VALVE AND VAULT, REPAIR PAVEMENT PER STD 606 OR REPLACE SIDEWALK PER CITY STANDARD.
- H. ALL SEPARATE IRRIGATION WATER SERVICE CONNECTIONS SHALL HAVE SEPARATE RPPD'S AS APPROVED BY THE UTILITY CROSS-CONNECTION CONTROL SPECIALISTS.
- I. ALL WORK PERTAINING TO BACKFLOW DEVICES SHALL BE INSPECTED BY THE PUBLIC WORKS WATER INSPECTOR. FOR NON-RESIDENTIAL PROPERTIES ALL PIPING BETWEEN METER AND BACKFLOW DEVICE SHALL ALSO BE INSPECTED BY THE UTILITY CROSS CONNECTION CONTROL SPECIALIST. FOR RESIDENTIAL PROPERTIES ALL PIPING BETWEEN METER AND BACKFLOW DEVICE SHALL BE INSPECTED BY BUILDING DIVISION.
- J. NO PERSON SHALL FILL SPECIAL USE TANKS, TANKERS, OR VAULTS CONTAINING SEWAGE, PESTICIDES, FERTILIZERS, UNAPPROVED AUXILIARY WATER, OR TOXIC CHEMICALS OR THEIR RESIDUES EXCEPT AT A LOCATION EQUIPPED WITH AN APPROVED AIR GAP (2 X DIAMETER OF SUPPLY PIPE WITH A MINIMUM GAP OF 1"). NO SUPPLIER OF WATER SHALL PERMIT THE FILLING OF SUCH SPECIAL USE CONTAINERS EXCEPT AT LOCATIONS SO EQUIPPED, REFER TO STANDARD PLAN 609E.
- K. MINIMUM METER AND BACKFLOW DEVICE SIZE IS PER FIRE DEPARTMENT AND/OR BUILDING DIVISION REQUIREMENTS.

APPROVED:



CITY ENGINEER

DATE: 02/15/17

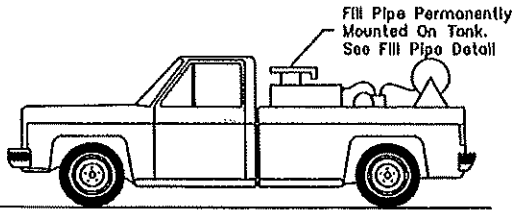
CITY OF HUNTINGTON BEACH

DEPARTMENT OF PUBLIC WORKS

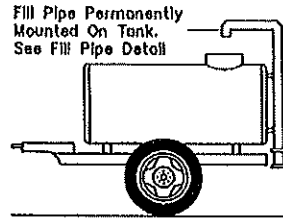


BACKFLOW PROTECTION NOTES

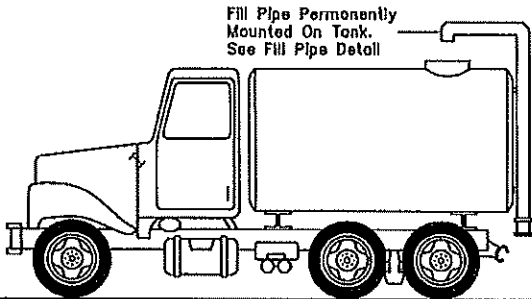
STANDARD PLAN
609
PAGE 2



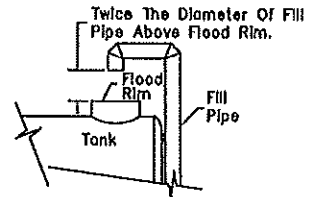
PESTICIDE APPLICATOR TRUCK



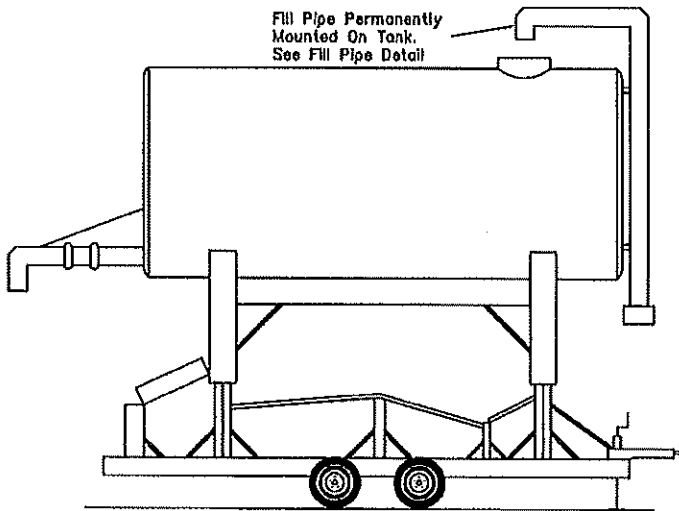
WATER WAGON



WATER TRUCK



FILL PIPE DETAIL



ELEVATED TANK

ANY OTHER SPECIALIZED AIR GAP
DESIGNS AND INSTALLATIONS
MUST BE APPROVED BY CITY
UTILITY CROSS CONNECTION
CONTROL SPECIALIST PRIOR TO
USE.

CUSTOMIZED AIR GAP

APPROVED:

CITY ENGINEER

DATE: 11/17/16

CITY OF HUNTINGTON BEACH

DEPARTMENT OF PUBLIC WORKS



AIR GAP BACKFLOW ASSEMBLY

STANDARD PLAN

609E