

MANHOLE FRAME & COVER WITH "SEWERS"  
 CAST ON COVER WITH 3" HIGH RAISED  
 LETTERS (NON-SKID PATTERN) AS  
 MANUFACTURED BY "SATHER MANUFACTURING  
 CO., INC." NO. 6024--R. 3 HOLE LOCKING  
 FRAME AND COVER. ONE (1) BOLT HOLE  
 TO BE CENTERED OVER LADDER

FIRST STEP  
 14" MIN.  
 18" MAX.

GROUT BETWEEN RINGS

POLYPROPYLENE MANHOLE  
 STEPS NO. P-13938 LOCATED  
 AT 12" O.C.

GROUT LIFT HOLES  
 INSIDE AND OUTSIDE

POLYPROPYLENE LADDER  
 (3' MAXIMUM LENGTH)

SEE NOTE 1

CHANNEL  
 3/4 PIPE DIA

SEE NOTE 4

FINISHED GRADE

4" X 24" PRECAST CONC.  
 ADJUSTMENT RINGS  
 2 RINGS REQUIRED  
 4 RINGS MAXIMUM  
 PLASTER INSIDE AND  
 OUTSIDE FACE WITH 1/2"  
 THICK GROUT

48" TO 24" OFFSET CONE

48" OR 54" (INSIDE DIAMETER)  
 PRECAST MANHOLE

RUBBER GASKET SEALING  
 ELEMENT

SHORT PIPE SECTION AT  
 MANHOLE (D.I. PIPE ONLY)

SLOPE 3/8"/FT

FLOW

GROUT FILL

FOUNDATION GRAVEL  
 8-INCH MINIMUM

UNDISTURBED EARTH

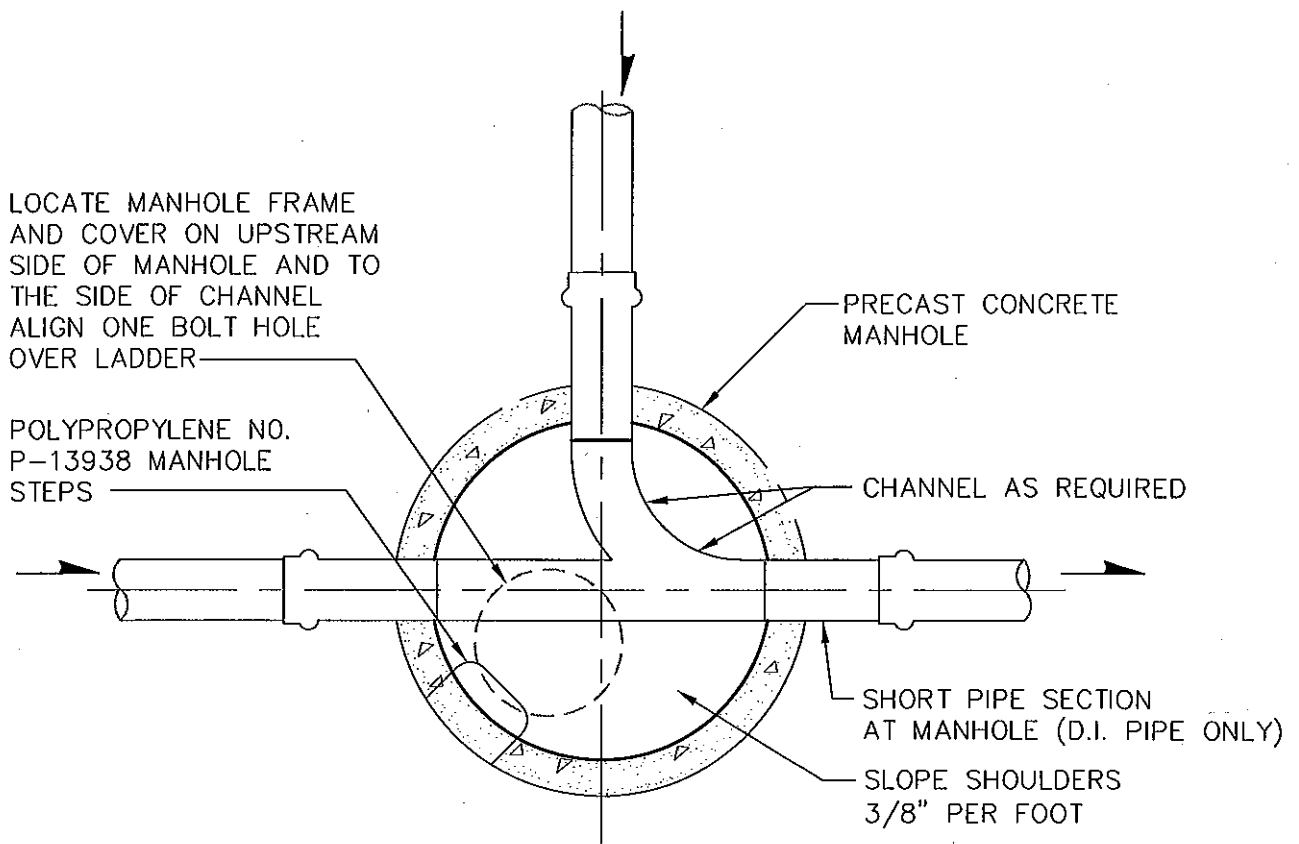
**NOTES:**

1. PIPE CONNECTIONS TO MANHOLES SHALL BE AS FOLLOWS:  
 PVC PIPE: CAST OR GROUT A MANHOLE COUPLING INTO WALL.  
 D.I. PIPE: BELL AND SPIGOT JOINT OR FLEXIBLE COUPLING  
 EITHER SHALL BE 12" MAXIMUM DISTANCE FROM MANHOLE WALL.  
 PVC AND D.I. PIPE, OPTIONAL: CORE THE MANHOLE AND  
 CONNECT SEWER PIPE WITH A WATER TIGHT FLEXIBLE RUBBER  
 BOOT IN MANHOLE WALL, KOR-N-SEAL BOOT  
 OR EQUAL.
2. DROP OF GRADE THRU MANHOLE SHALL  
 BE 0.10', UNLESS OTHERWISE REQUIRED/  
 APPROVED BY CITY ENGINEER.
3. LARGER MANHOLES WILL BE REQUIRED AT  
 THE DISCRETION OF THE CITY ENGINEER  
 BASED ON PIPE SIZE, NUMBER AND  
 ORIENTATION OF PIPE(S).
4. INSTALL CONCRETE COLLAR. SEE DETAIL.
5. PRE-CHANNELED MANHOLES ARE NOT  
 ACCEPTABLE.

# City of Pacific

## Sanitary Sewer Typical Precast Manhole

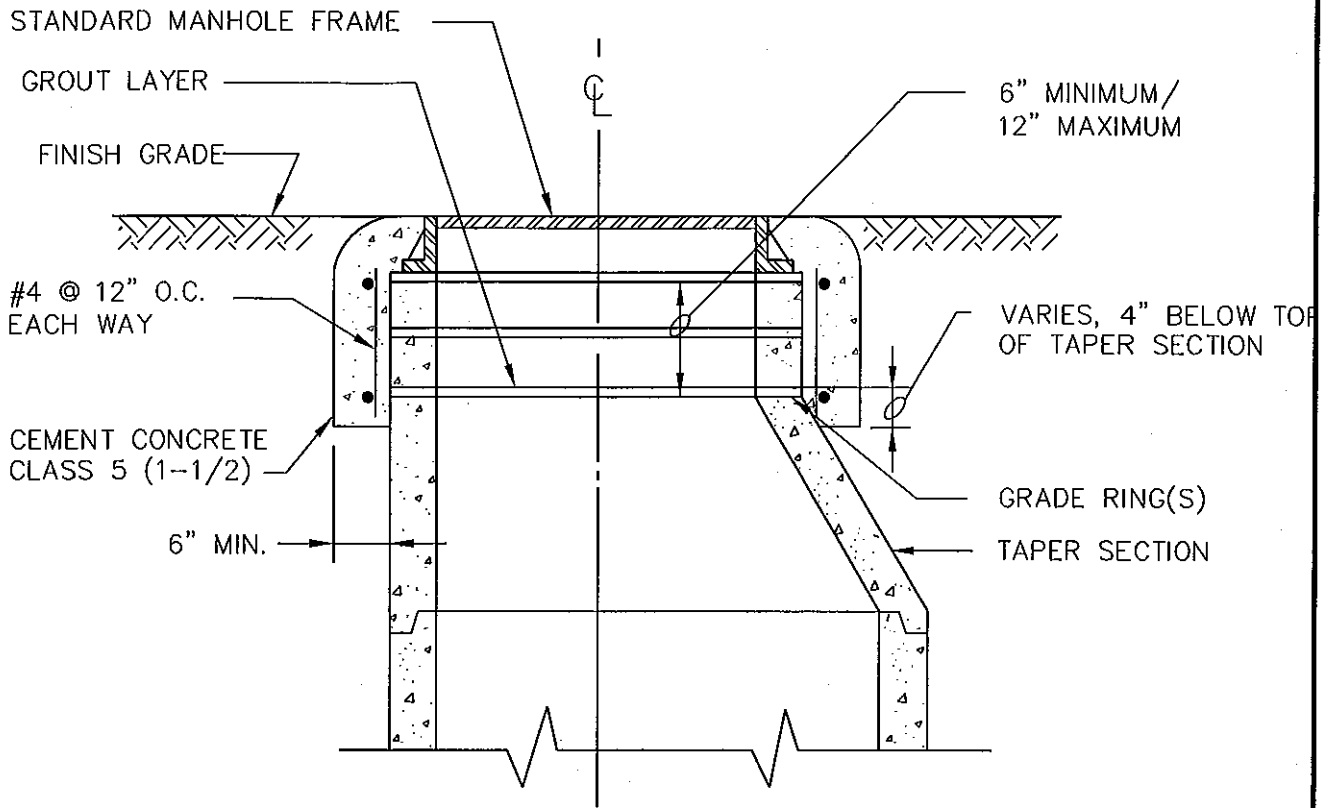
APPROVED:		DATE:		DRAWING NO. SS- Typ MH
DATE: 8/98	DRAWN: JH	CHECKED: TJO	SCALE: None	



**NOTE:**

PIPE CONNECTIONS TO MANHOLES SHALL BE AS FOLLOWS:  
 PVC PIPE: CAST OR GROUT A MANHOLE COUPLING INTO WALL.  
 D.I. PIPE: BELL AND SPIGOT JOINT OR FLEXIBLE COUPLING.  
 EITHER SHALL BE 12" MAXIMUM DISTANCE FROM MANHOLE WALL.  
 PVC AND D.I. PIPE, OPTIONAL: CORE THE MANHOLE AND CONNECT SEWER PIPE WITH A WATER TIGHT FLEXIBLE RUBBER BOOT IN MANHOLE WALL, KOR-N- SEAL BOOT OR EQUAL.  
 ALL CONNECTIONS TO EXISTING MANHOLES SHALL BE MADE WITH A CONCRETE CORING MACHINE UNLESS OTHERWISE APPROVED BY THE CITY.

<b>City of Pacific</b>			
Sanitary Sewer Typical Manhole Plan			
APPROVED: _____			DRAWING NO. SS- Typ MH Pln
DATE: _____		DATE: _____	
DATE: _____	DRAWN: _____	CHECKED: _____	SCALE: _____



SECTION

NOTE:

CONSTRUCT CONCENTRIC CONCRETE COLLARS AROUND ALL MANHOLE FRAMES LOCATED OUTSIDE OF PAVEMENT AREAS

MANHOLE FRAME COLLAR

<b>City of Pacific</b>			
Sanitary Sewer Manhole Frame Collar			
			DRAWING NO. SS- MH-Cllr
APPROVED:		DATE:	
DATE: 8/98	DRAWN: JH	CHECKED: TJO	SCALE: None

MANHOLE FRAME & COVER WITH "SEWERS"  
 CAST ON COVER WITH 3" HIGH RAISED  
 LETTERS (NON-SKID PATTERN) AS  
 MANUFACTURED BY "SATHER MANUFACTURING  
 CO., INC." NO. 6024-R. 3 HOLE LOCKING  
 FRAME AND COVER. ONE (1) BOLT HOLE  
 TO BE CENTERED OVER LADDER

FIRST STEP  
 14" MIN.  
 18" MAX.

GROUT BETWEEN RINGS

POLYPROPYLENE MANHOLE  
 STEPS NO. P-13938 LOCATED  
 AT 12" O.C.

GROUT LIFT HOLES  
 INSIDE AND OUTSIDE

POLYPROPYLENE LADDER  
 (3' MAXIMUM LENGTH)

CUT OUT EXISTING PIPE,  
 MAKE SMOOTH INVERT &  
 CHANNEL AFTER NEW LINE  
 IS ACCEPTED.

CAST IN PLACE  
 CHANNEL & SHELF,  
 3000# PSI CONCRETE

8" MINIMUM

SEE NOTE 3

FINISHED GRADE

4" X 24" PRECAST CONC.  
 ADJUSTMENT RINGS  
 2 RINGS REQUIRED  
 4 RINGS MAXIMUM  
 PLASTER INSIDE AND  
 OUTSIDE FACE WITH 1/2"  
 THICK GROUT

48" TO 24" OFFSET CONE

PRECAST MANHOLE

RUBBER GASKET SEALING  
 ELEMENT

SHORT PIPE SECTION AT  
 MANHOLE (D.I. PIPE ONLY)

FLOW

FOUNDATION GRAVEL  
 8-IN MINIMUM

UNDISTURBED EARTH

**NOTES:**

1. PIPE CONNECTIONS TO MANHOLES SHALL BE AS FOLLOWS:  
 PVC PIPE: CAST OR GROUT A MANHOLE COUPLING INTO WALL.  
 D.I. PIPE: BELL AND SPIGOT JOINT OR FLEXIBLE COUPLING  
 EITHER SHALL BE 12" MAXIMUM DISTANCE FROM MANHOLE WALL.  
 PVC AND D.I. PIPE, OPTIONAL: CORE THE MANHOLE AND  
 CONNECT SEWER PIPE WITH A WATER TIGHT FLEXIBLE RUBBER  
 BOOT IN MANHOLE WALL, KOR-N-SEAL BOOT  
 OR EQUAL.
2. DROP OF GRADE THRU MANHOLE SHALL  
 BE 0.10', UNLESS OTHERWISE APPROVED  
 BY CITY INSPECTOR.
3. INSTALL CONCRETE COLLAR.  
 SEE DETAIL

# City of Pacific

## Sanitary Sewer Typical Saddle Manhole

DRAWING NO.  
 SS-  
 Saddle MH

APPROVED:

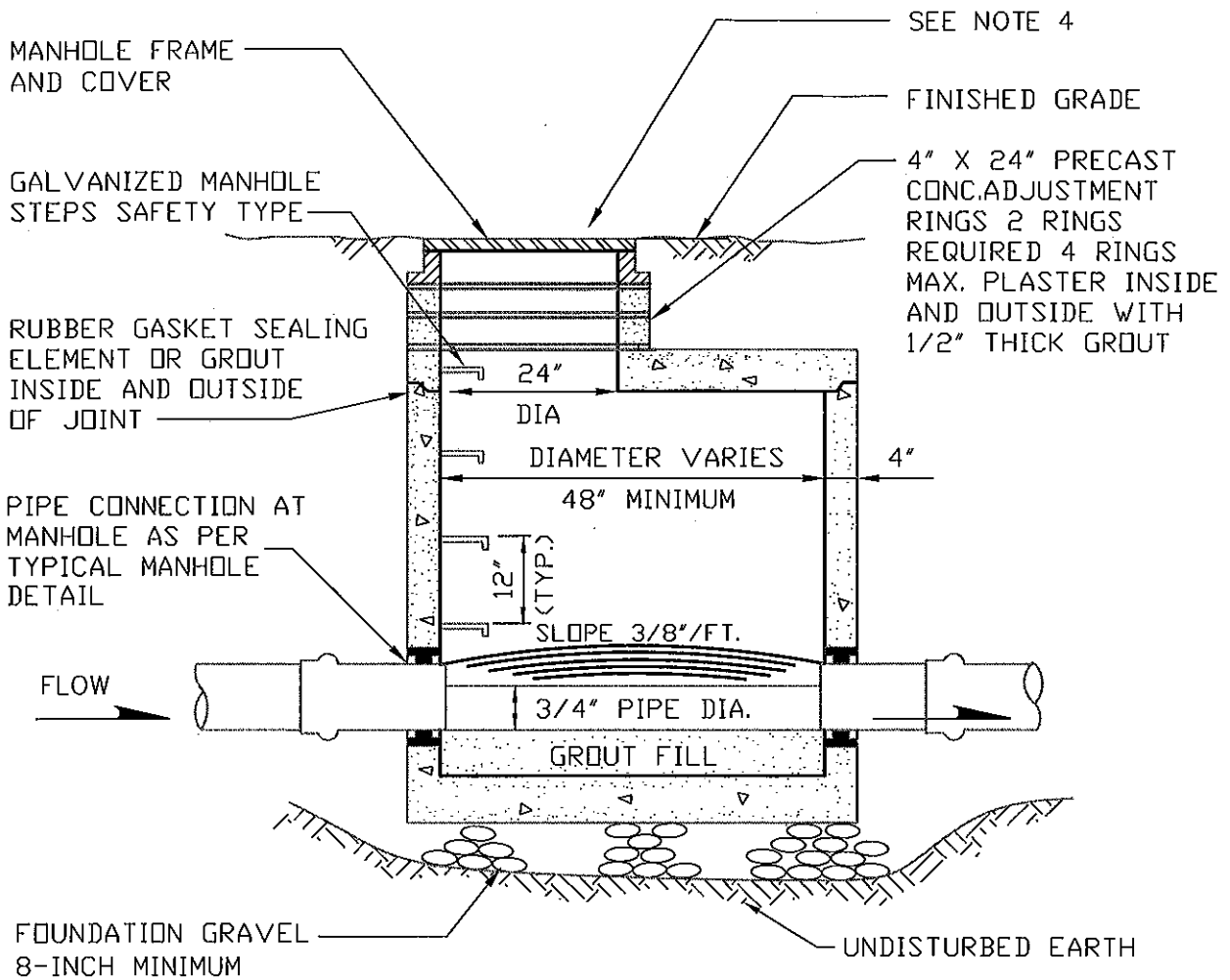
DATE:

DATE:  
 8/98

DRAWN:  
 JH

CHECKED:  
 TJO

SCALE:  
 None



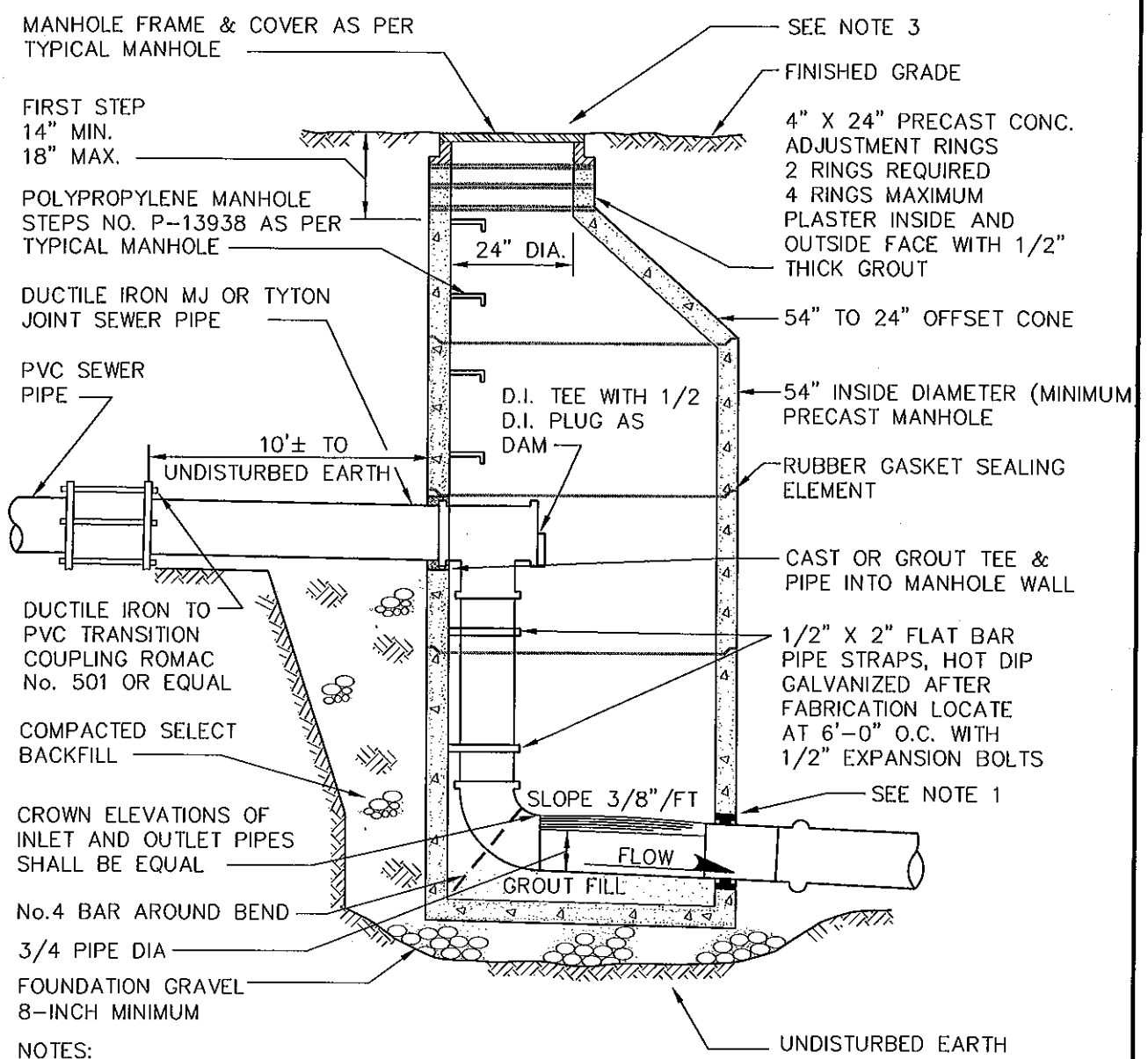
**NOTES:**

1. PIPE CONNECTIONS TO MANHOLES SHALL BE AS FOLLOWS:  
 PVC PIPE: CAST OR GROUT A MANHOLE COUPLING INTO WALL.  
 D.I. PIPE: BELL AND SPIGOT JOINT OR FLEXIBLE COUPLING  
 EITHER SHALL BE 12" MAXIMUM DISTANCE FROM MANHOLE WALL.  
 PVC AND D.I. PIPE, OPTIONAL: CORE THE MANHOLE AND  
 CONNECT SEWER PIPE WITH A WATER TIGHT FLEXIBLE RUBBER  
 BOOT IN MANHOLE WALL, KOR-N-SEAL BOOT  
 OR EQUAL.
2. DROP OF GRADE THRU MANHOLE SHALL  
 BE 0.10'.
3. PRE-CHANNELED MANHOLES ARE  
 NOT ACCEPTABLE.
4. CONSTRUCT CONCRETE COLLARS  
 PER DETAILS.

Approved by Public Works  
 Sub-Committee on

<b>City of Pacific</b>			
Typical Shallow Precast Manhole			
			DRAWING NO. MH-Shallow
APPROVED:		DATE:	
DATE:	DRAWN:	CHECKED:	SCALE: None

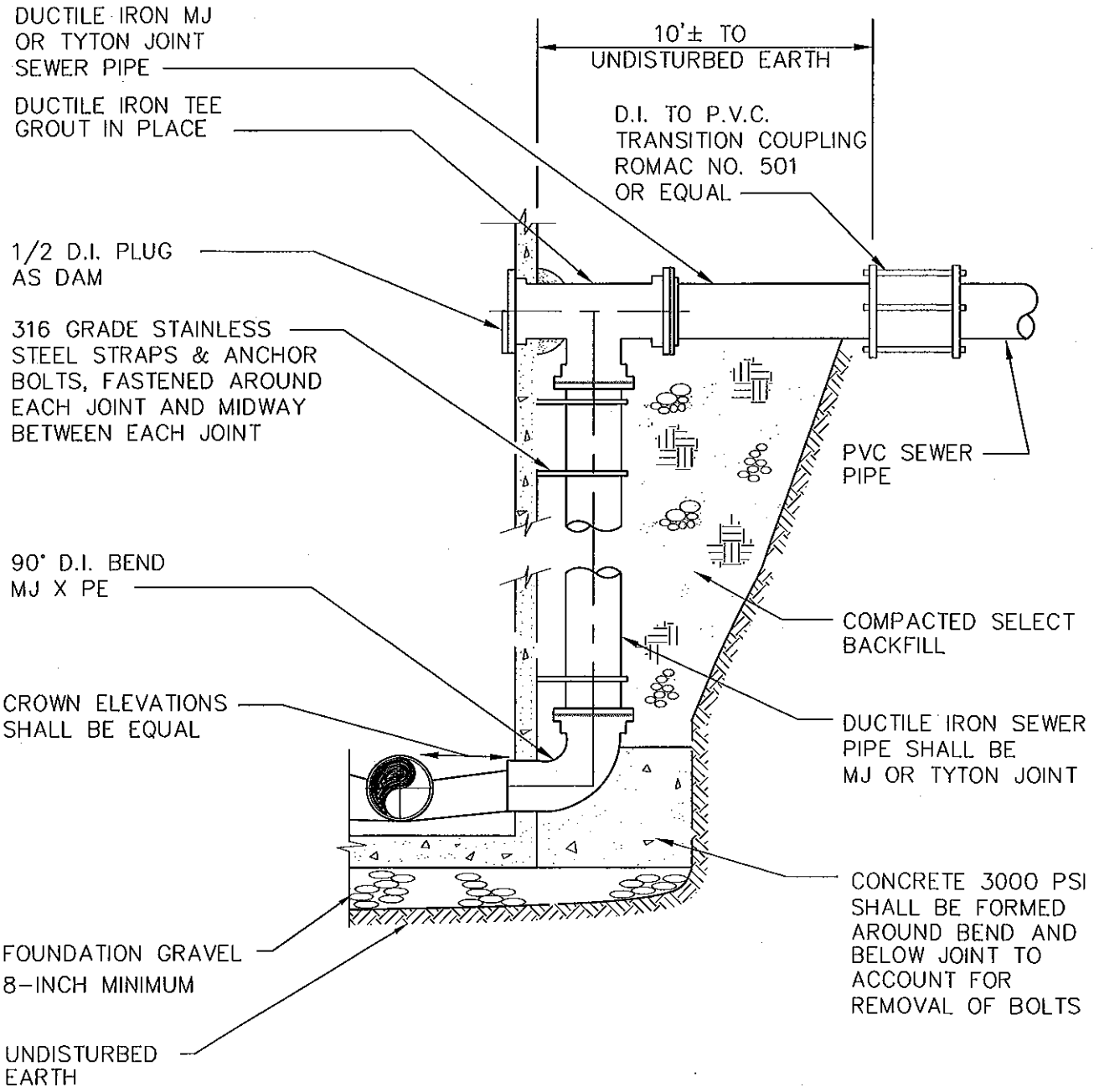
G:\Public Works & Community Development\PUBLIC PROJECTS\City Drawings\City-Sewer\Details\Sewer\MH Inside Drop.dwg, 12/4/2008 2:48:53 PM, Adobe PDF



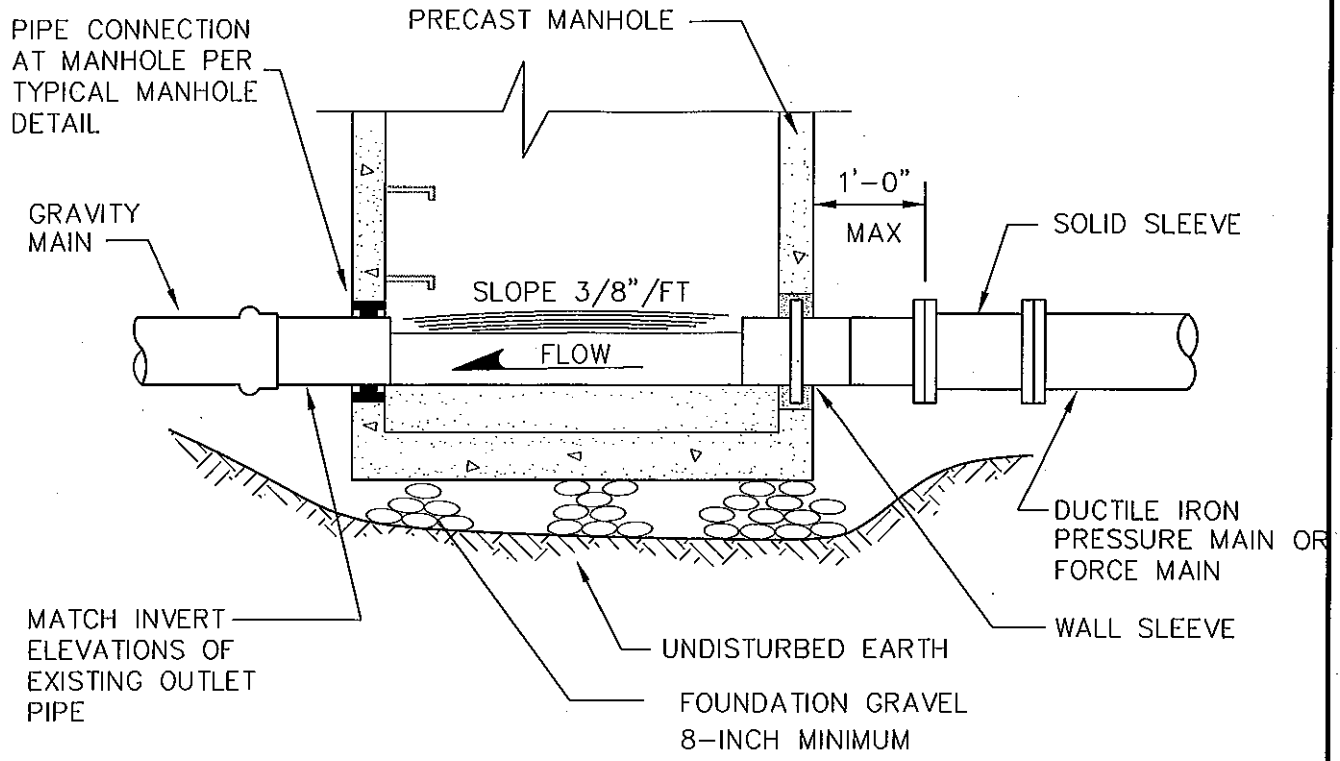
**NOTES:**

1. PIPE CONNECTIONS TO MANHOLES SHALL BE AS FOLLOWS:  
 PVC PIPE: CAST OR GROUT A MANHOLE COUPLING INTO WALL.  
 D.I. PIPE: BELL AND SPIGOT JOINT OR FLEXIBLE COUPLING  
 EITHER SHALL BE 12" MAXIMUM DISTANCE FROM MANHOLE WALL.  
 PVC AND D.I. PIPE, OPTIONAL: CORE THE MANHOLE AND  
 CONNECT SEWER PIPE WITH A WATER TIGHT FLEXIBLE RUBBER  
 BOOT IN MANHOLE WALL, KOR-N-SEAL BOOT  
 OR EQUAL.
2. DROP OF GRADE THRU MANHOLE SHALL  
 BE 0.10', UNLESS OTHERWISE APPROVED  
 BY CITY INSPECTOR.
3. INSTALL CONCRETE COLLAR.  
 SEE DETAIL
4. PRE-CHANNELED MANHOLE ARE NOT  
 ACCEPTABLE

<h1 style="margin: 0;">City of Pacific</h1>			
<h2 style="margin: 0;">Sanitary Sewer Inside Drop Manhole</h2>			
APPROVED: _____			DRAWING NO. SS- MH Inside
DATE: 8/98			SCALE: None
DRAWN: JH	CHECKED: TJO	DATE:	



<b>City of Pacific</b>			
Sanitary Sewer Outside Drop Manhole			
			DRAWING NO. SS- MH Outside
APPROVED:		DATE:	
DATE: 8/98	DRAWN: JH	CHECKED: TJO	SCALE: None

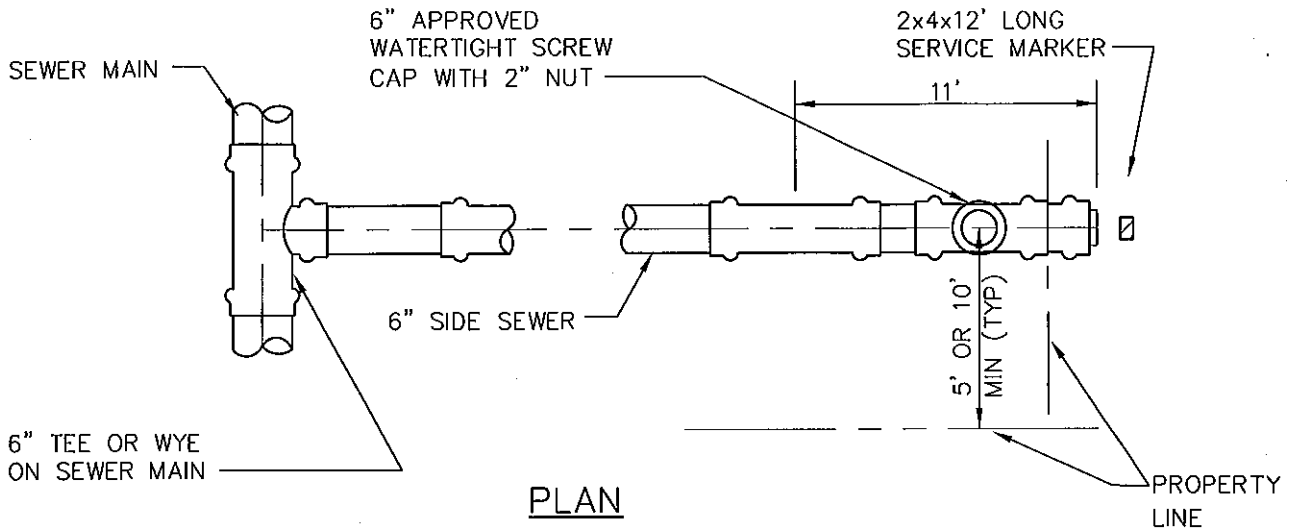


**NOTES:**

1. PIPE CONNECTIONS TO MANHOLES SHALL BE AS FOLLOWS:  
 PVC PIPE: CAST OR GROUT A MANHOLE COUPLING INTO WALL.  
 D.I. PIPE: BELL AND SPIGOT JOINT OR FLEXIBLE COUPLING  
 EITHER SHALL BE 12" MAXIMUM DISTANCE FROM MANHOLE WALL.  
 PVC AND D.I. PIPE, OPTIONAL: CORE THE MANHOLE AND  
 CONNECT SEWER PIPE WITH A WATER TIGHT FLEXIBLE RUBBER  
 BOOT IN MANHOLE WALL, KOR-N-SEAL BOOT  
 OR EQUAL.
  
2. DROP OF GRADE THRU MANHOLE SHALL  
 BE 0.10', UNLESS OTHERWISE APPROVED.

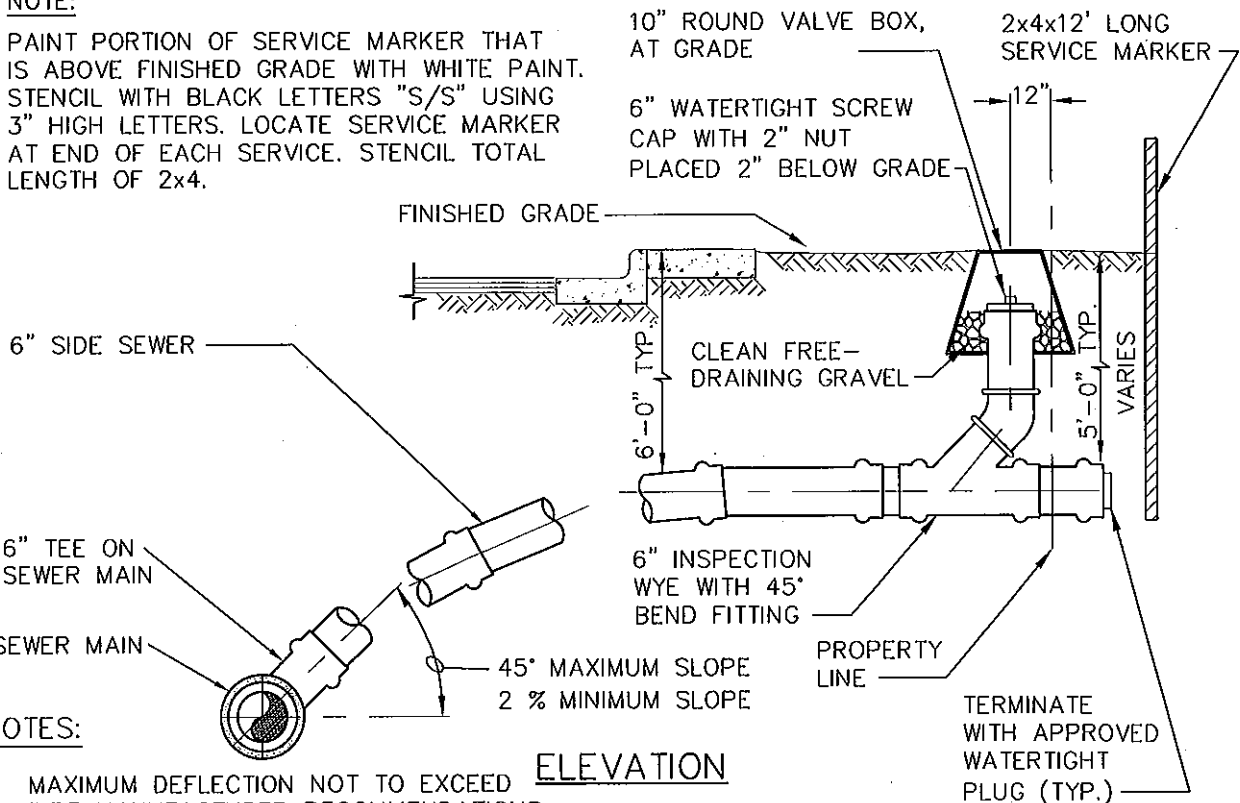
<b>City of Pacific</b>			
Sanitary Sewer Force Main Discharge into Manhole			
			DRAWING NO. SS- FM MH
APPROVED:		DATE:	
DATE: 8/98	DRAWN: JH	CHECKED: TJO	SCALE: None





**NOTE:**

PAINT PORTION OF SERVICE MARKER THAT IS ABOVE FINISHED GRADE WITH WHITE PAINT. STENCIL WITH BLACK LETTERS "S/S" USING 3" HIGH LETTERS. LOCATE SERVICE MARKER AT END OF EACH SERVICE. STENCIL TOTAL LENGTH OF 2x4.

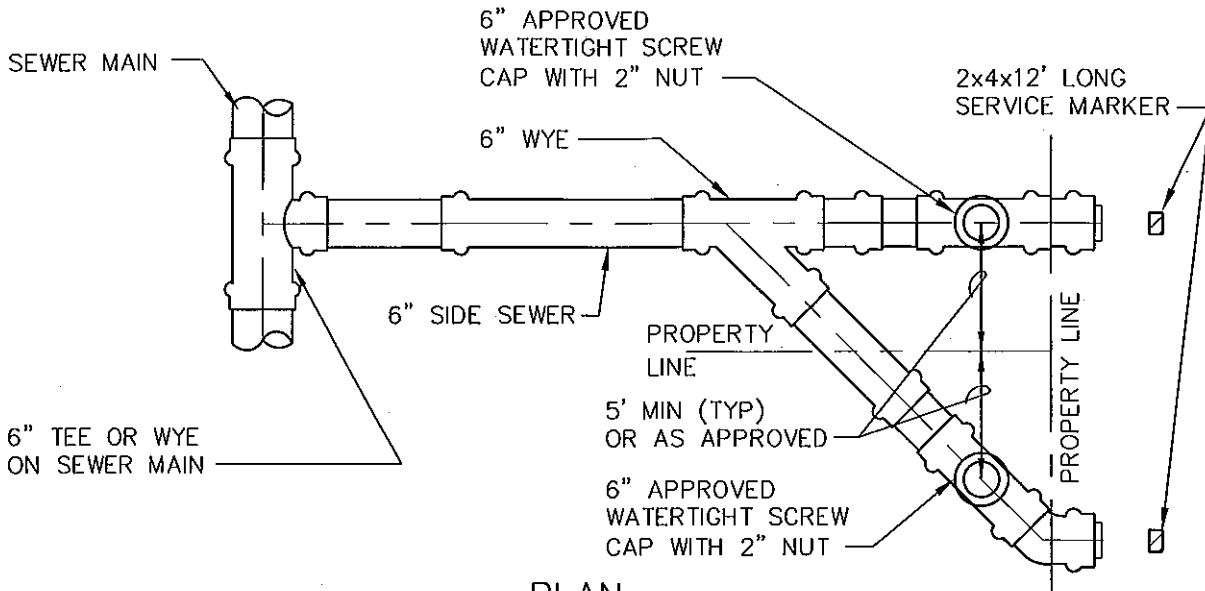


**NOTES:**

1. MAXIMUM DEFLECTION NOT TO EXCEED PIPE MANUFACTURER RECOMMENDATIONS.
2. SIDE SEWER LATERAL SHALL BE THE SAME MATERIAL AS THE MAIN LINE SEWER AND BEDDED THE SAME.
3. PIPE BEDDING PER WSDOT 9-03.12(3)
4. IF CLEAN-OUT IS WITHIN DRIVING SURFACE, A LOAD-BEARING CASTING & COVER SHALL BE USED IN LIEU OF 10" ROUND VALVE BOX.

Approved by Public Works  
Sub-Committee on 1/30/01

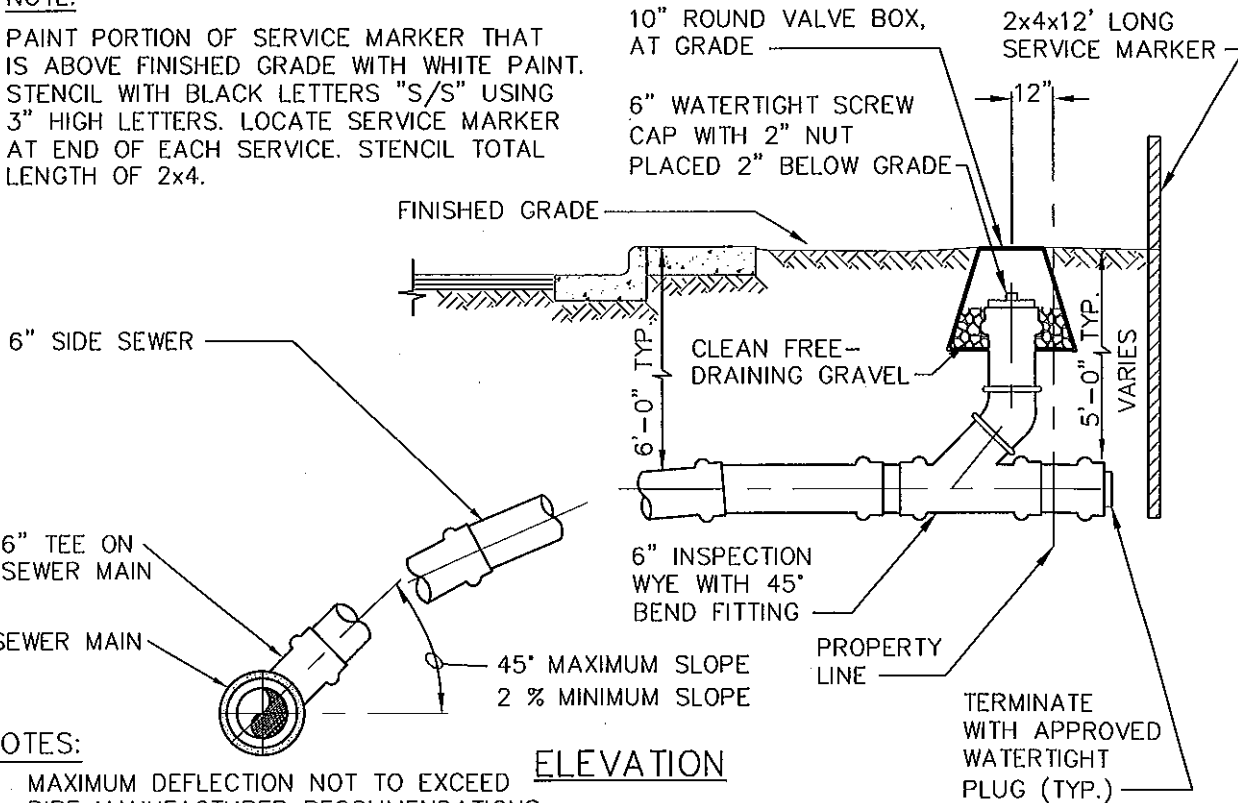
<b>City of Pacific</b>			
Sanitary Sewer New Side Sewer			
APPROVED: _____			DRAWING NO. SS- SS New
DATE: 12/00	DRAWN: KT	CHECKED: DB	SCALE: None



**PLAN**

**NOTE:**

PAINT PORTION OF SERVICE MARKER THAT IS ABOVE FINISHED GRADE WITH WHITE PAINT. STENCIL WITH BLACK LETTERS "S/S" USING 3" HIGH LETTERS. LOCATE SERVICE MARKER AT END OF EACH SERVICE. STENCIL TOTAL LENGTH OF 2x4.



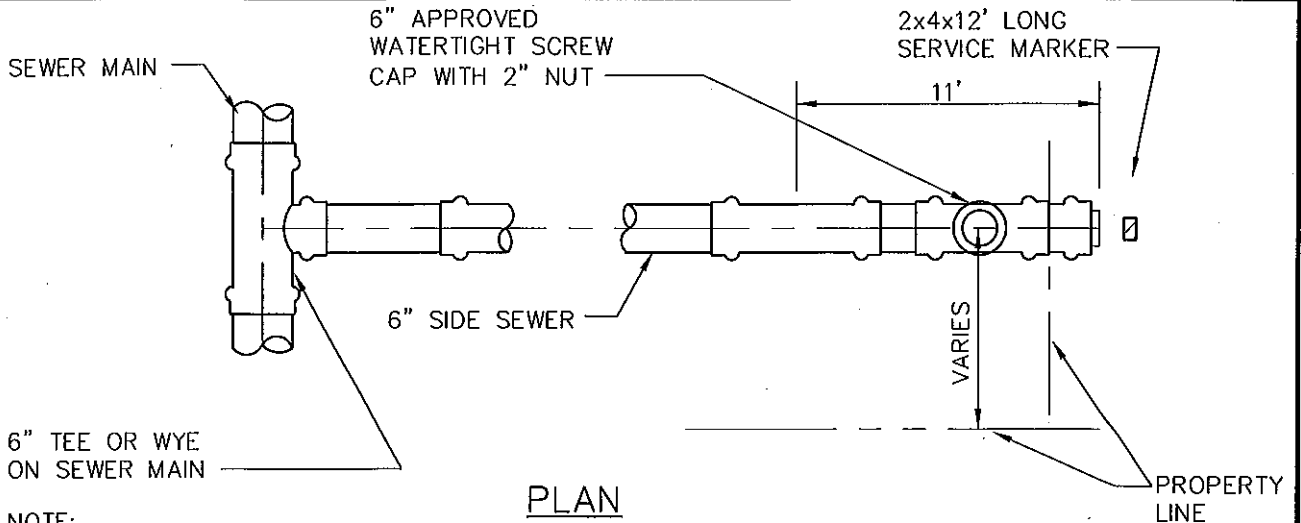
**ELEVATION**

**NOTES:**

1. MAXIMUM DEFLECTION NOT TO EXCEED PIPE MANUFACTURER RECOMMENDATIONS.
2. SIDE SEWER LATERAL SHALL BE THE SAME MATERIAL AS THE MAIN LINE SEWER AND BEDDED THE SAME.
3. PIPE BEDDING PER WSDOT 9-03.12(3)
4. IF CLEAN-OUT IS WITHIN DRIVING SURFACE, A LOAD-BEARING CASTING & COVER SHALL BE USED IN LIEU OF 10" ROUND VALVE BOX.

Approved by Public Works  
Sub-Committee on 1/30/01

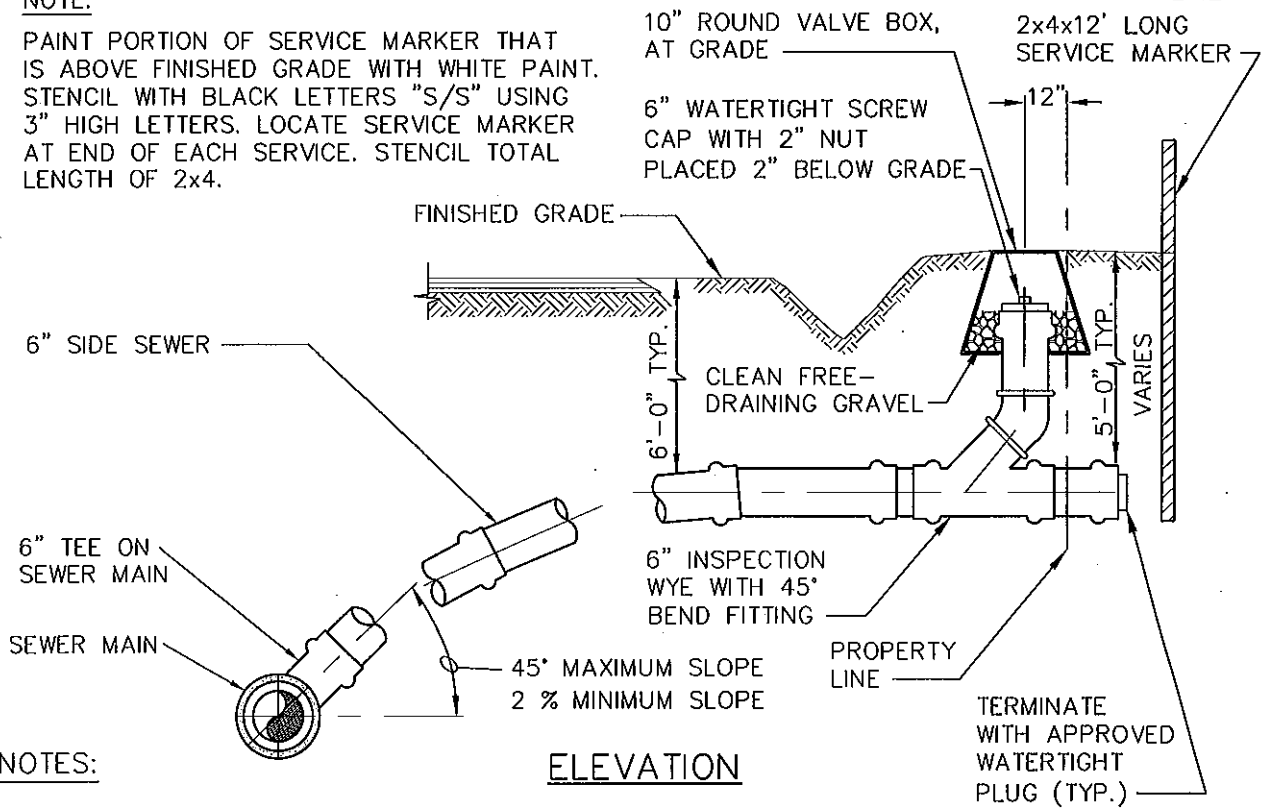
<b>City of Pacific</b>			
<b>Sanitary Sewer Dual Side Sewer</b>			
APPROVED: _____			DRAWING NO. SS- Dual SS
DATE: 12/00	DRAWN: KT	CHECKED: DB	SCALE: None



**PLAN**

**NOTE:**

PAINT PORTION OF SERVICE MARKER THAT IS ABOVE FINISHED GRADE WITH WHITE PAINT. STENCIL WITH BLACK LETTERS "S/S" USING 3" HIGH LETTERS. LOCATE SERVICE MARKER AT END OF EACH SERVICE. STENCIL TOTAL LENGTH OF 2x4.



**ELEVATION**

**NOTES:**

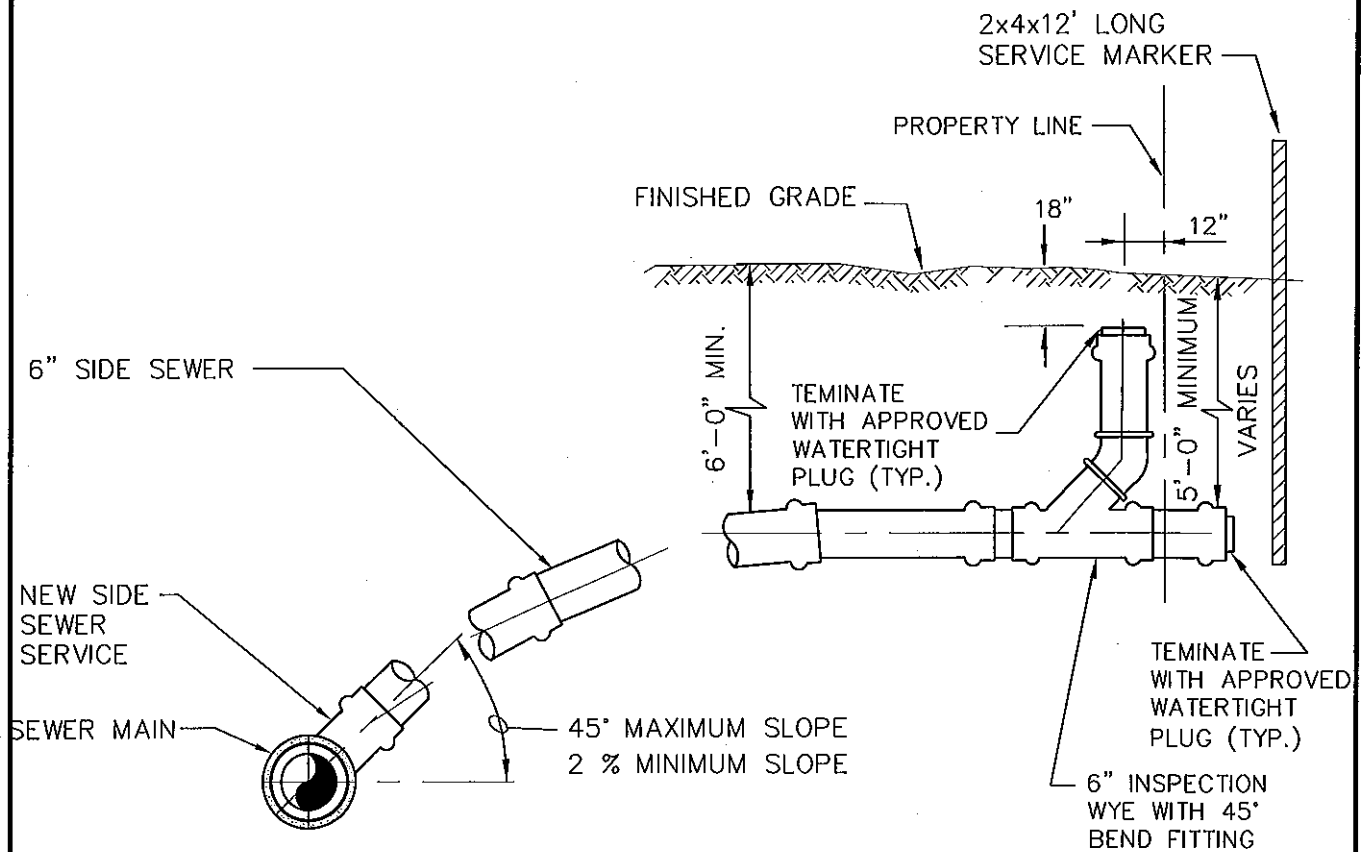
1. MAXIMUM DEFLECTION NOT TO EXCEED PIPE MANUFACTURER RECOMMENDATIONS.
2. SIDE SEWER LATERAL SHALL BE THE SAME MATERIAL AS THE MAIN LINE SEWER AND BEDDED THE SAME.
3. PIPE BEDDING PER WSDOT 9-03.12(3)
4. IF PROPERTY LINE FALLS WITHIN BAR DITCH, INSTALL CLEAN-OUT 18" OFF OF OUTSIDE DITCH SLOPE.
5. IF CLEAN-OUT IS WITHIN DRIVING SURFACE, A LOAD-BEARING CASTING & COVER SHALL BE USED IN LIEU OF 10" ROUND VALVE BOX.

Approved by Public Works  
Sub-Committee on 1/30/01

# City of Pacific

## Sanitary Sewer Side Sewer at Ditch

APPROVED:		DATE:		DRAWING NO. SS- Side-Ditch
DATE: 12/00	DRAWN: KT	CHECKED: DB	SCALE: None	



**NOTE:**

1. PAINT PORTION OF SERVICE MARKER THAT IS ABOVE FINISHED GRADE WITH WHITE PAINT. STENCIL WITH BLACK LETTERS "S/S" USING 3" HIGH LETTERS. LOCATE SERVICE MARKER AT END OF EACH SERVICE. STENCIL TOTAL LENGTH OF 2x4.
2. TAP EXISTING SEWER MAIN WITH APPROVED CITY SADDLE. INSTALL NEW SIDE SEWER TEE ON NEW MAIN LINES.
3. WHEN TAPPED SERVICE IS PERMITTED, CONTRACTOR SHALL PROVIDE SEWER MAIN COUPON TO CITY STAFF.
4. SEE "TYPICAL SIDE SEWER DETAIL" FOR CONSTRUCTION IN NEW DEVELOPMENTS.
5. PROVIDE PEA GRAVEL PIPE BEDDING SEE TRENCH SECTION DETAIL.

<b>City of Pacific</b>			
Sanitary Sewer New Side Sewer in Existing Street			
			DRAWING NO. SS- SS Exst St
APPROVED:		DATE:	
DATE: 8/98	DRAWN: JH	CHECKED: TJO	SCALE: None

10" ROUND VALVE BOX, AT GRADE

WATERTIGHT SCREW CAP WITH 2" NUT PLACED 2" BELOW GRADE

10" ROUND VALVE BOX, AT GRADE

6" WATERTIGHT SCREW CAP WITH 2" NUT PLACED 2" BELOW GRADE

CLEANOUT

FINISHED GRADE

5'-0" MINIMUM

12" R.O.W. PRIVATE PROPERTY

2% MIN.

1'-6" MINIMUM



4"Ø FOR RESIDENTIAL  
6"Ø FOR COMMERCIAL

5'-0" MAX

6"x4" REDUCER (IF REQUIRED)

BUILDING FOOTING

CLEAN OUT

PIPE BEDDING PER WSDOT 9-03.12(3)

ELEVATION

NOTES:

1. ELBOWS SHALL NOT BE GREATER THAN 45°
2. A CLEAN OUT IS REQUIRED FOR PIPE RUNS GREATER THAN 100' AND FOR EACH 90° ACCUMULATED BEND/100' OF LENGTH
3. RIGHT-OF-WAY RESTORATION SHALL MATCH OR EXCEED ORIGINAL CONDITIONS.
4. TRENCH BACKFILL BENEATH PAVED SURFACE SHALL BE 5/8" MINUS CRUSHED SURFACING TOP COURSE, COMPACTED IN 12" LIFTS
5. ALL PLUMBING OUTLETS SHALL BE CONNECTED TO THE SEWER. NO DOWNSPOUTS OR STORM DRAINAGE SHALL BE CONNECTED TO THE SANITARY SYSTEM.
6. 18" MINIMUM COVER ON ALL PIPES (PRIVATE PROPERTY) AND SLOPE @ 2% MINIMUM.
7. 5' MINIMUM PIPE COVER AT PROPERTY LINE
8. LAY PIPE IN STRAIGHT LINE BETWEEN BENDS. MAKE ALL CHANGES IN GRADE OR LINE WITH AN ELBOW OR WYE.
9. 6" SEWER PIPE MINIMUM SIZE IN RIGHT-OF-WAY. LAY AT 2% MINIMUM GRADE, 45% MAXIMUM GRADE.
10. 4" SEWER PIPE MINIMUM SIZE ON PRIVATE RESIDENTIAL PROPERTY. 6" SEWER PIPE MIN. SIZE ON COMMERCIAL PROPERTIES. 2% MINIMUM GRADE, 45° MAXIMUM.
11. CONSTRUCTION IN RIGHT-OF-WAY SHALL BE PERFORMED BY A REGISTERED LICENSED CONTRACTOR. ACQUIRE CITY PERMIT.
12. ALL CONSTRUCTION REQUIRES A PERMIT AND PAYMENT OF FEE. COMPLETE LEGAL DESCRIPTION OF PROPERTY AND DIMENSIONS.
13. AS-BUILT DRAWING SHOWING LOCATION OF SIDE SEWER IN RELATION TO THE HOUSE AND EXISTING UTILITIES IS REQUIRED AFTER INSTALLATION.
14. IF CLEAN-OUT IS WITHIN DRIVING SURFACE, A LOAD-BEARING CASTING & COVER SHALL BE USED IN LIEU OF 10" ROUND VALVE BOX.

CITY OF PACIFIC

PRIVATE SIDE SEWER INSTALLATION

APPROVED:

DWG. NO.

BY CITY ENGINEER

DATE

PSSI-R

DATE:  
12/00

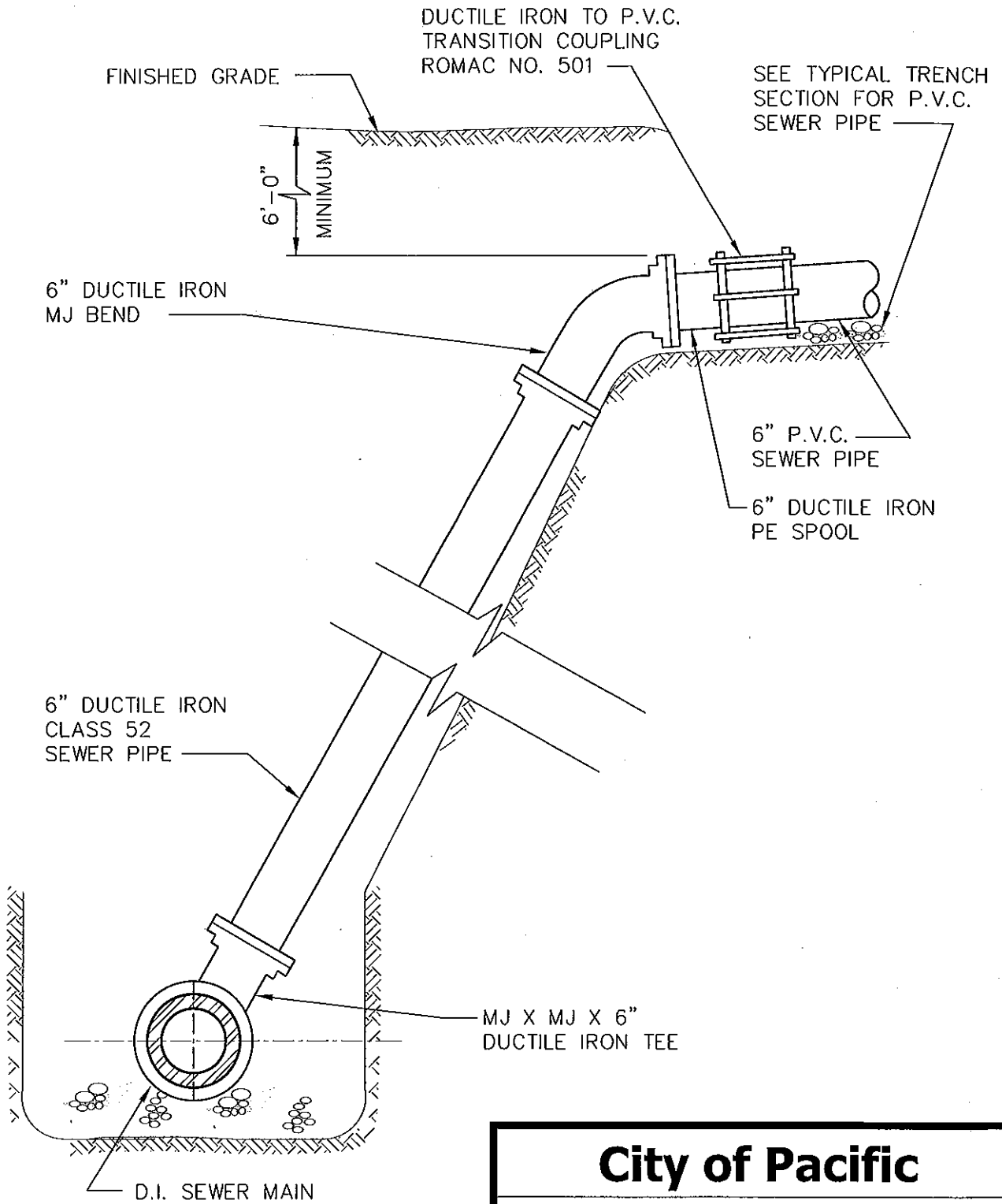
DRWN:  
K.T.

CHKD:  
D.B.

SCALE:  
NONE

APPROVED BY PUBLIC WORKS  
SUBCOMMITTEE ON 1/30/01

PSSI-R-PMX.DWG



**NOTE:**  
SEE TYPICAL TRENCH SECTION  
FOR DUCTILE IRON SEWER PIPE

<b>City of Pacific</b>			
Sanitary Sewer Deep Side Sewer			
APPROVED: _____			DRAWING NO. SS- SS Deep
DATE: 8/98		DATE: _____	SCALE: None
DRAWN: JH	CHECKED: TJO		

MANHOLE FRAME & COVER WITH "SEWERS"  
 CAST ON COVER WITH 3" HIGH RAISED  
 LETTERS (NON-SKID PATTERN) AS  
 MANUFACTURED BY "SATHER MANUFACTURING  
 CO., INC." NO. 6024-R. 3 HOLE LOCKING  
 FRAME AND COVER. ONE (1) BOLT HOLE  
 TO BE CENTERED OVER LADDER

FIRST STEP  
 14" MIN.  
 18" MAX.

GROUT BETWEEN RINGS

POLYPROPYLENE MANHOLE  
 STEPS NO. P-13938 LOCATED  
 AT 12" O.C.

GROUT LIFT HOLES  
 INSIDE AND OUTSIDE

TAG AIR AND VACUUM  
 UNIT NON POTABLE  
 TRANSMISSION LINE

2" GATE VALVE  
 TH X TH

POLYPROPYLENE LADDER

6" BLIND FLANGE, TAP  
 FOR 2" AIR & VACUUM UNIT

SLOPE TO DRAIN

MJ TEE SIZE AS REQ'D  
 WITH 6" FLANGE TEE

2" 90° BASE WITH 2"  
 PIPE SUPPORT

SEE NOTE 3

FINISHED GRADE

4" X 24" PRECAST CONC.  
 ADJUSTMENT RINGS  
 2 RINGS REQUIRED  
 4 RINGS MAXIMUM  
 PLASTER INSIDE AND  
 OUTSIDE FACE WITH 1/2"  
 THICK GROUT

48" DIA. X 8" THICK  
 CONCRETE SLAB

48" MIN. INSIDE DIAMETER  
 PRECAST MANHOLE

RUBBER GASKET SEALING  
 ELEMENT

"APCO, CRISPIN OR VALMATIC"  
 HEAVY-DUTY COMBINATION  
 AIR AND VACUUM VALVE  
 W/ STAINLESS STEEL INTERNALS  
 & EPOXY COATING. SEATS SHALL  
 BE SUPPLIED FOR THE FOLLOWING  
 WORKING PRESSURES:  
 20 PSI, 20-150 PSI W/ FLUSHING  
 ATTACHMENTS

SEE NOTE 1

4" DIAMETER PVC DRAIN  
 PIPE TO DAYLIGHT  
 @ 2% SLOPE

FOUNDATION GRAVEL (8" MIN)

UNDISTURBED EARTH

**NOTES:**

1. PIPE CONNECTIONS TO MANHOLES SHALL BE AS FOLLOWS:  
 PVC PIPE: CAST OR GROUT A MANHOLE COUPLING INTO WALL.  
 D.I. PIPE: BELL AND SPIGOT JOINT OR FLEXIBLE COUPLING  
 EITHER SHALL BE 12" MAXIMUM DISTANCE FROM MANHOLE WALL.  
 PVC AND D.I. PIPE, OPTIONAL: CORE THE MANHOLE AND  
 CONNECT SEWER PIPE WITH A WATER TIGHT FLEXIBLE RUBBER  
 BOOT IN MANHOLE WALL, KOR-N-SEAL BOOT  
 OR EQUAL.
2. DROP OF GRADE THRU MANHOLE SHALL  
 BE 0.10', UNLESS OTHERWISE APPROVED.
3. INSTALL CONCRETE COLLAR

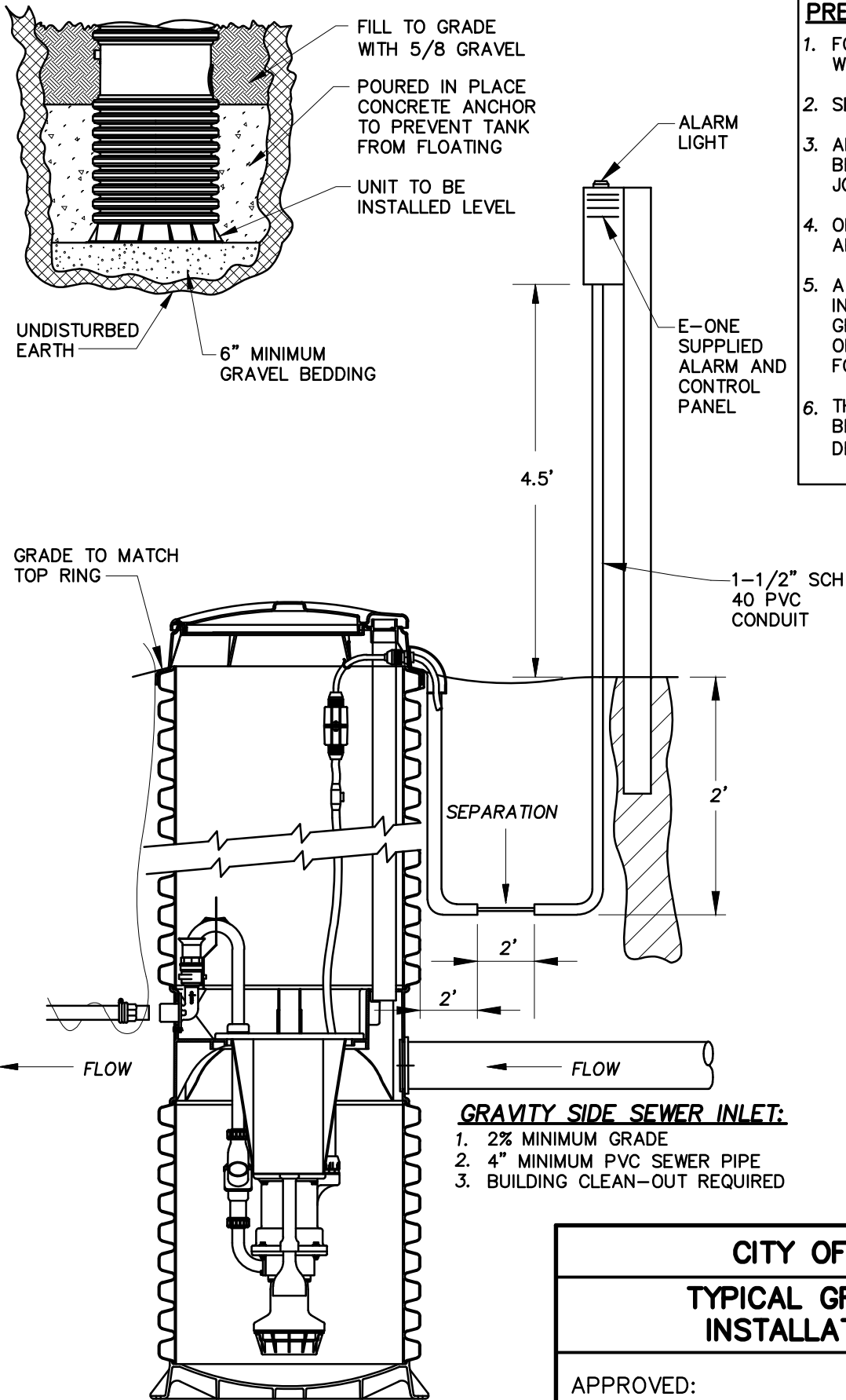
# City of Pacific

## Sanitary Sewer Air/Vacuum Release Valve Assembly

APPROVED:			DATE:	DRAWING NO. SS- AVRVA
DATE: 8/98	DRAWN: JH	CHECKED: TJO	SCALE: None	

**PRESSURE DISCHARGE LINE:**

1. FORD PACK JOINT COUPLER WITH INSERT STIFFENERS
2. SDR 7 HDPE TUBING
3. ALL POLY PIPE SPLICES SHALL BE MADE WITH A FORD PACK JOINT COUPLER
4. OR PUBLIC WORKS DEPARTMENT APPROVED EQUIVALENTS
5. A TRACER WIRE SHALL BE INSTALLED FROM PUMP TO GRAVITY CLEAN-OUT OR CONNECTION TO FORCEMAIN
6. THE DISCHARGE PIPE SHALL BE INSTALLED AT A MINIMUM DEPTH OF 24"



**GRAVITY SIDE SEWER INLET:**

1. 2% MINIMUM GRADE
2. 4" MINIMUM PVC SEWER PIPE
3. BUILDING CLEAN-OUT REQUIRED

9/11/2015 3:47:29 PM, Revision Date

<b>CITY OF PACIFIC</b>			
<b>TYPICAL GRINDER PUMP INSTALLATION DETAIL</b>			
APPROVED: _____			DWG. NO. PS-1A
BY CITY _____		DATE _____	
DATE: 7/03	DRWN: PMX	CHKD: XX	SCALE: N.T.S.

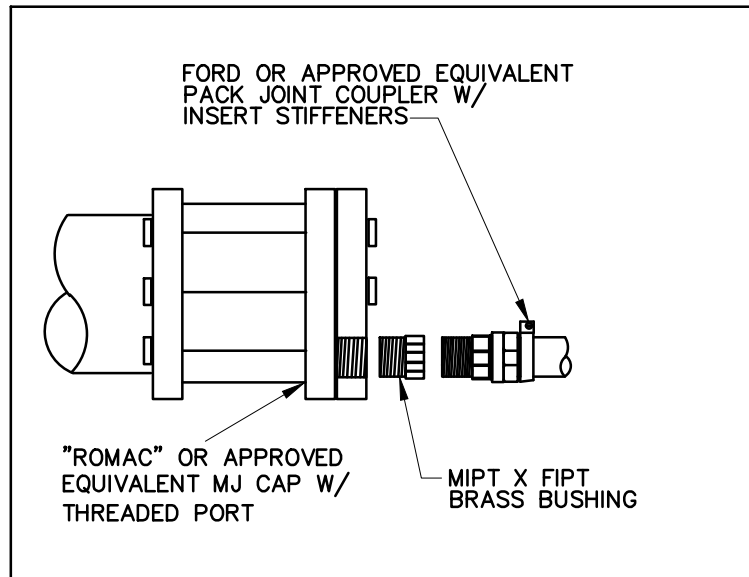
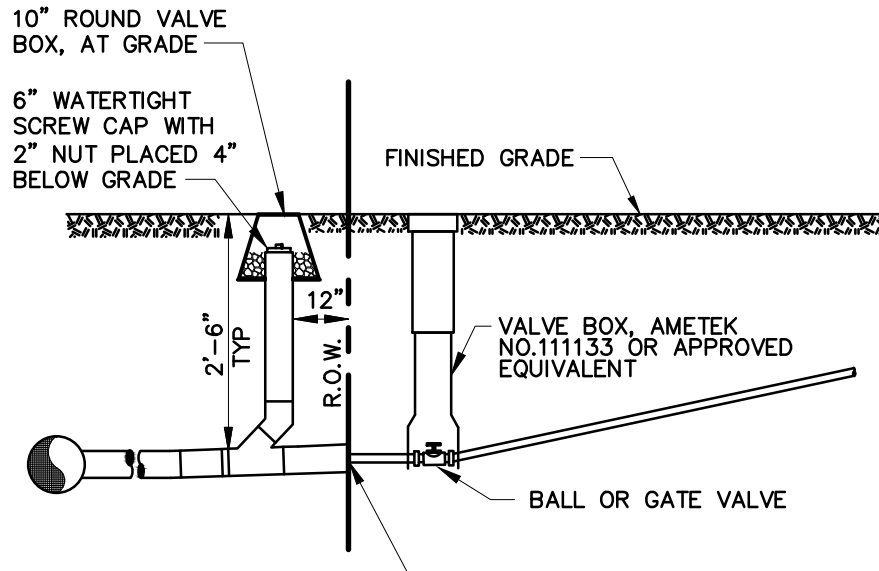


**RESIDENTIAL GRINDER PUMP STATION NOTES:**

1. The packaged grinder pump lift station shall be "Environment One" Model 2010 (<http://www.eone.com>) or a Public Works Department approved equivalent
2. The pump station shall be accessible for maintenance and repair. Finished grade shall slope away from the pump station. The pump station is not to be located within low areas that may pond. Fences, plants, or any other object shall not hinder in the maintenance or repair of the pump station.
3. The Control/Alarm Panel shall be attached to the building. With City approval the Control Panel may be attached to a 3" X 8" galvanized pole with top cap, and set in concrete.
4. The Control/Alarm Panel shall be:
  - A) Accessible for maintenance and repair
  - B) In sight of the Pump Station
  - C) The Alarm Light shall be visible from a 180 degree radius
  - D) No fences, plants or other objects shall hide the Alarm Light from view
5. All electrical work shall conform to NEC Standards, and shall be inspected by a Washington State Electrical Inspector.
6. Grade must slope away from the pump station. No plants shall be placed within 5' of the pump station.
7. Each building site shall have its own grinder pump station.
8. The property owner shall retain ownership and maintenance of the grinder pump station and associated lines to the property line gravity side sewer clean-out, or where the pressure line discharges to a City of Sumner owned gravity sewer clean-out, structure, or forcemain.
9. The property owner shall be responsible for any backups or spills due to power failure or pump and associated equipment failure.
10. Follow manufacturer's instructions and installation procedures.

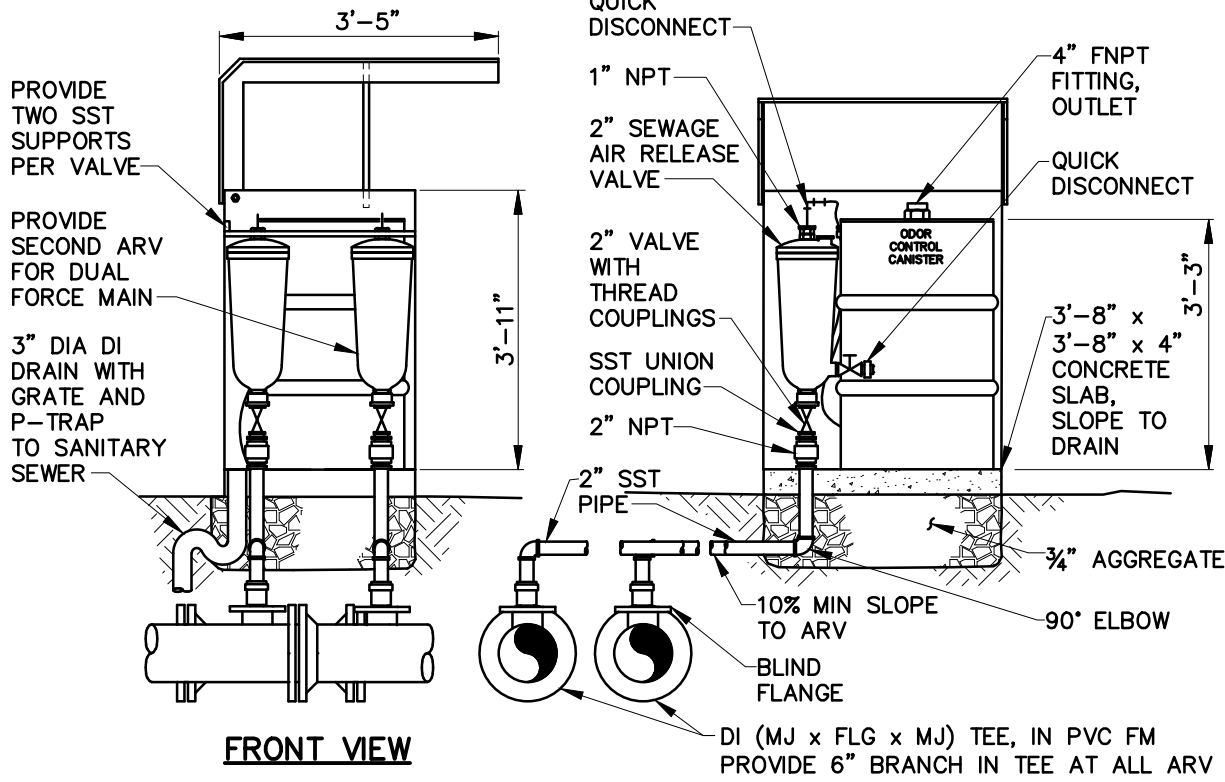
9/11/2015 3:48:19 PM, Revision Date

<b>CITY OF PACIFIC</b>			
<b>RESIDENTIAL GRINDER PUMP ASSEMBLY NOTES</b>			
APPROVED: _____			DWG. NO. PS-1B
BY CITY		DATE	
DATE: 7/03	DRWN: PMX	CHKD: XX	SCALE: N.T.S.



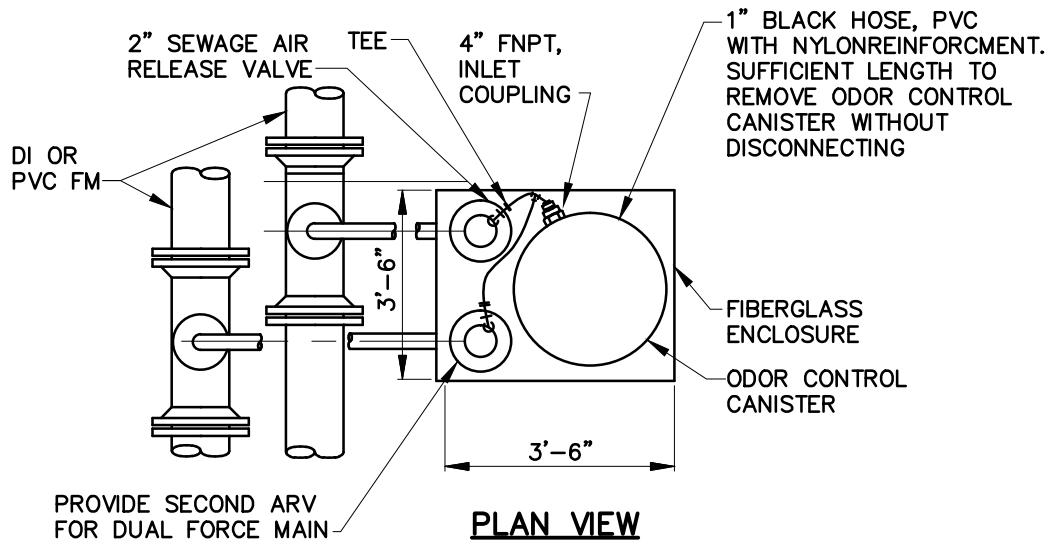
6/26/2015 9:05:42 AM, Revision Date

<b>CITY OF PACIFIC</b>			
<b>GRINDER SERVICE TO GRAVITY MAIN SEWER CONNECTION</b>			
APPROVED:			DWG. NO.
_____			PS-2
BY CITY		DATE	
DATE:	DRWN:	CHKD:	SCALE:
7/03	PMX	XX	N.T.S.



**FRONT VIEW**

**SIDE VIEW**

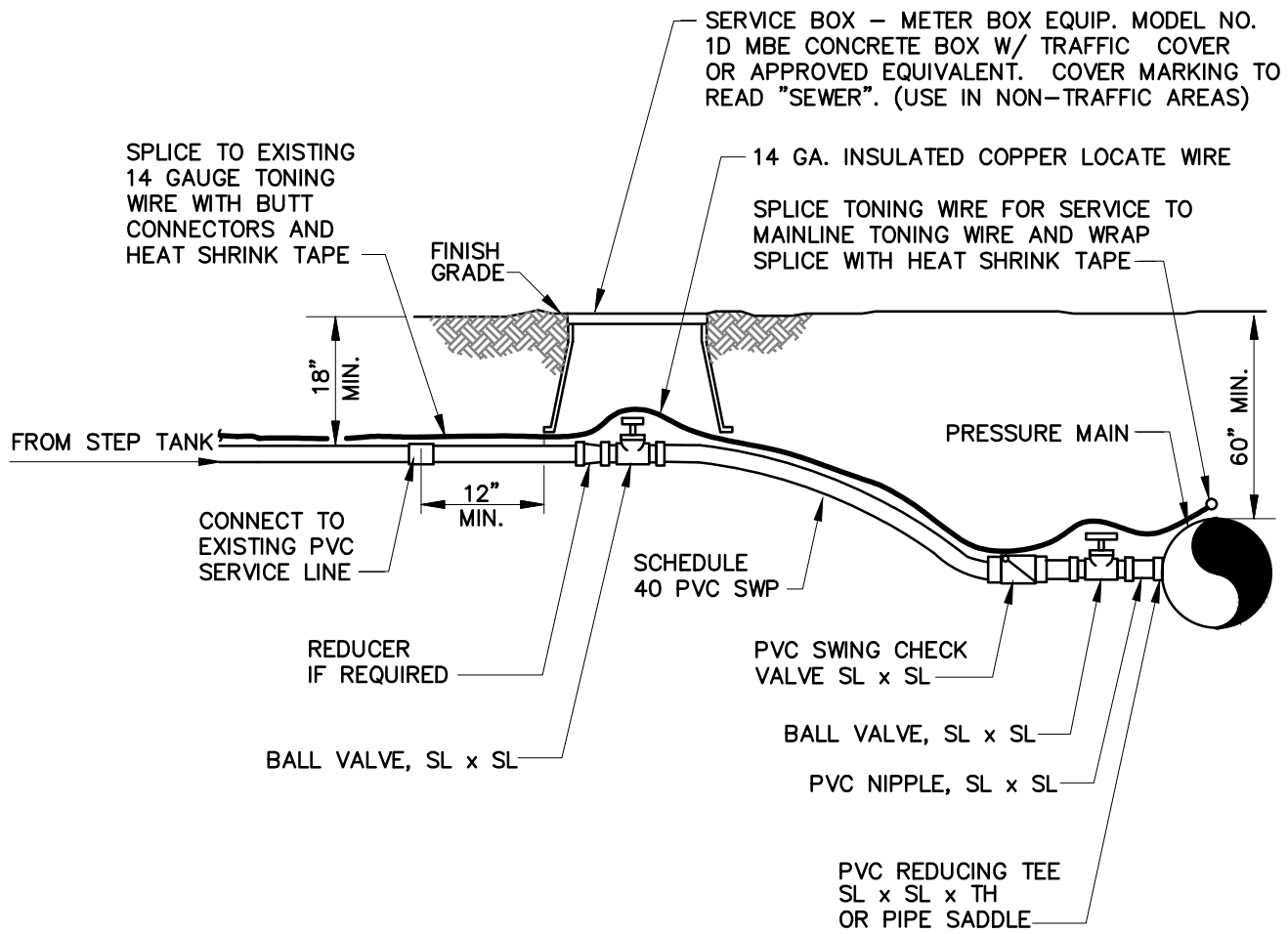


**PLAN VIEW**

**NOTE:**  
FRONT AND SIDE VIEWS SHOWN WITH GULLWING DOOR OPEN

<b>CITY OF PACIFIC</b>			
<b>TYPICAL GRINDER SEWER AIR RELEASE VALVE</b>			
APPROVED:			DWG. NO.
BY CITY			PS-3
DATE:			DATE
7/03	DRWN: PMX	CHKD: XX	SCALE: N.T.S.

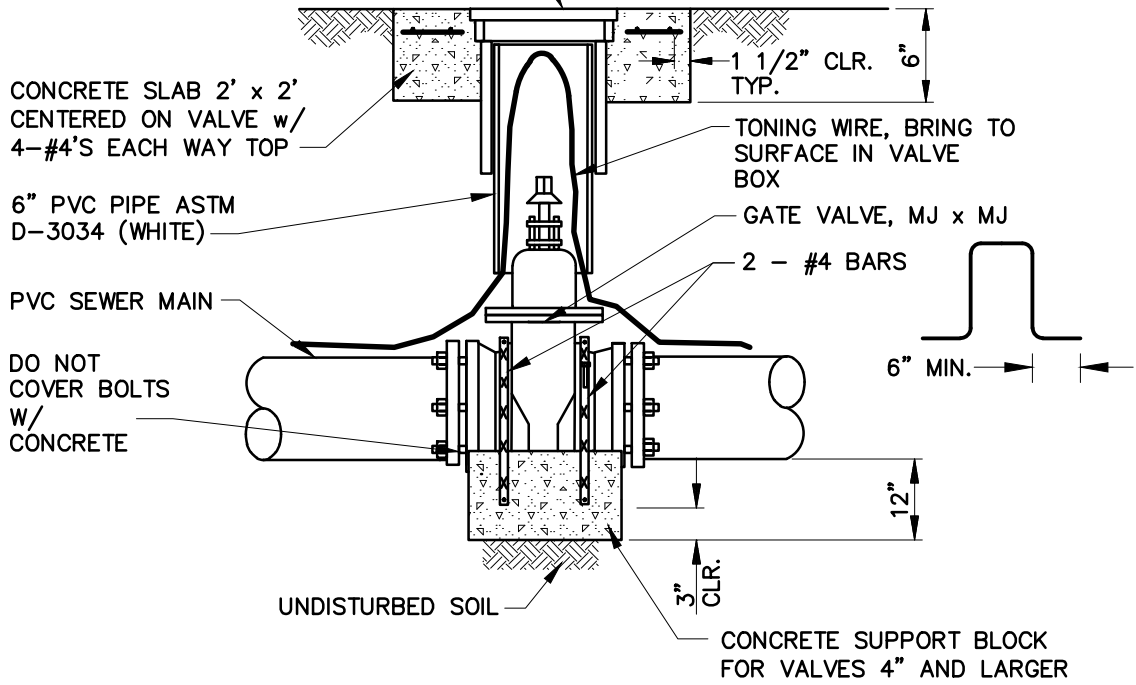
9/11/2015 3:53:07 PM, Revision Date



9/11/2015 3:56:44 PM, Revision Date

<b>CITY OF PACIFIC</b>			
<b>TYPICAL PRESSURE SERVICE CONNECTION</b>			
APPROVED:			DWG. NO.
_____			PS-8
BY CITY		DATE	
DATE:	DRWN:	CHKD:	SCALE:
7/03	PMX	XX	N.T.S.

VALVE BOX, RICH NO. 910  
OR EQUAL W/ COVER  
MARKING TO READ  
"SEWER"

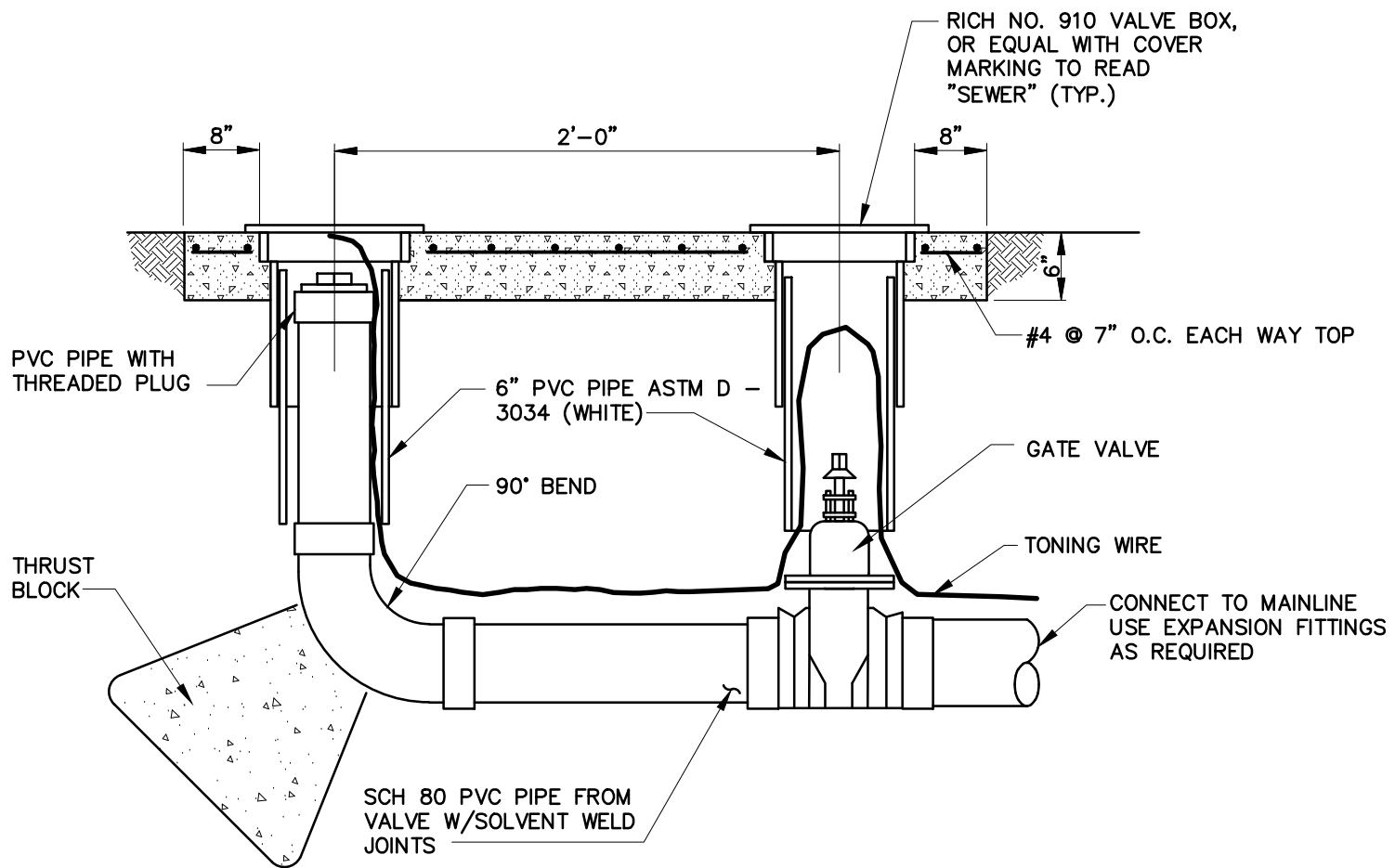


**NOTE:**

2" & 3" VALVES MAY BE BELL x BELL  
AT THE CONTRACTORS OPTION

9/11/2015 3:58:07 PM, Revision Date

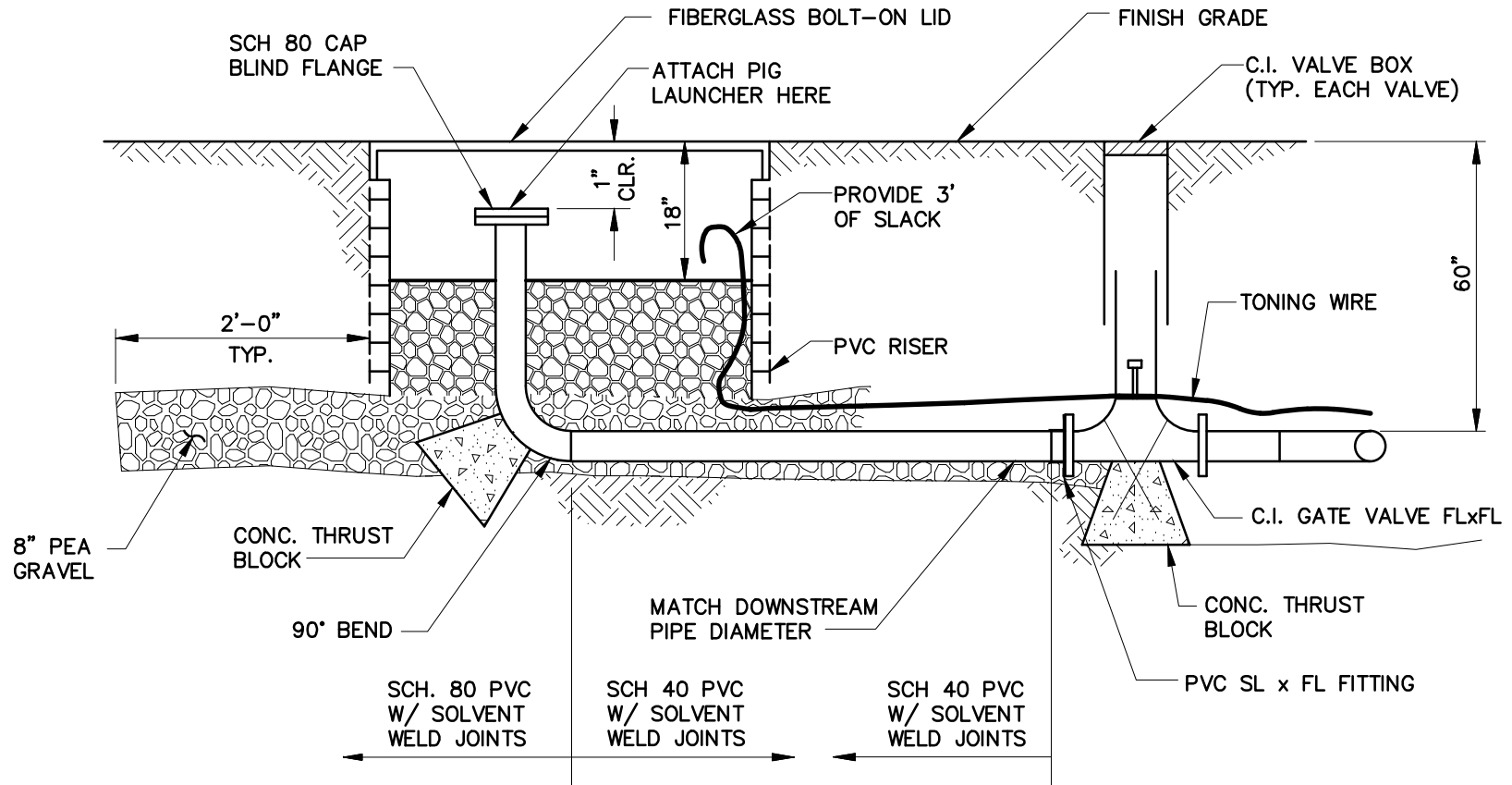
<b>CITY OF PACIFIC</b>			
<b>TYPICAL FORCE MAIN LINE GATE VALVE</b>			
APPROVED:			DWG. NO.
_____			PS-10
BY CITY		DATE	
DATE:	DRWN:	CHKD:	SCALE:
7/03	PMX	XX	N.T.S.



**NOTE:**

THE VALVE MAY BE BELL x BELL  
AT THE CONTRACTORS OPTION

<b>CITY OF PACIFIC</b>			
<b>PRESSURE SEWER CO/ 2"-4" PIG LAUNCHER</b>			
APPROVED:			DWG. NO.
BY CITY		DATE	PS-11
DATE: 7/03	DRWN: PMX	CHKD: XX	SCALE: N.T.S.



## ELEVATION A

### CITY OF PACIFIC PRESSURE SEWER PIG PORT DETAIL (6" AND ABOVE)

APPROVED:

DWG. NO.

BY CITY

DATE

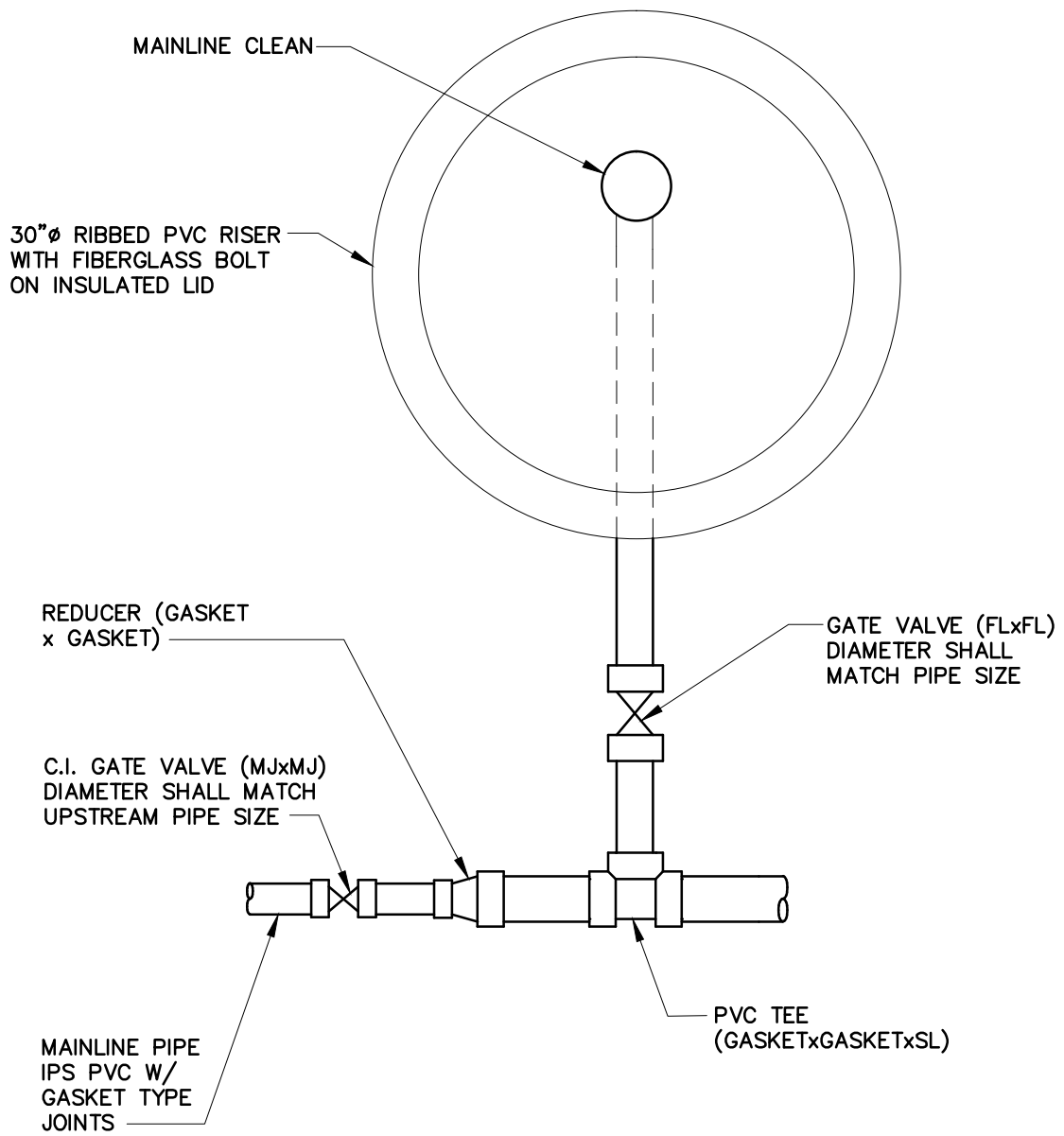
PS-12A

DATE:  
7/03

DRWN:  
PMX

CHKD:  
XX

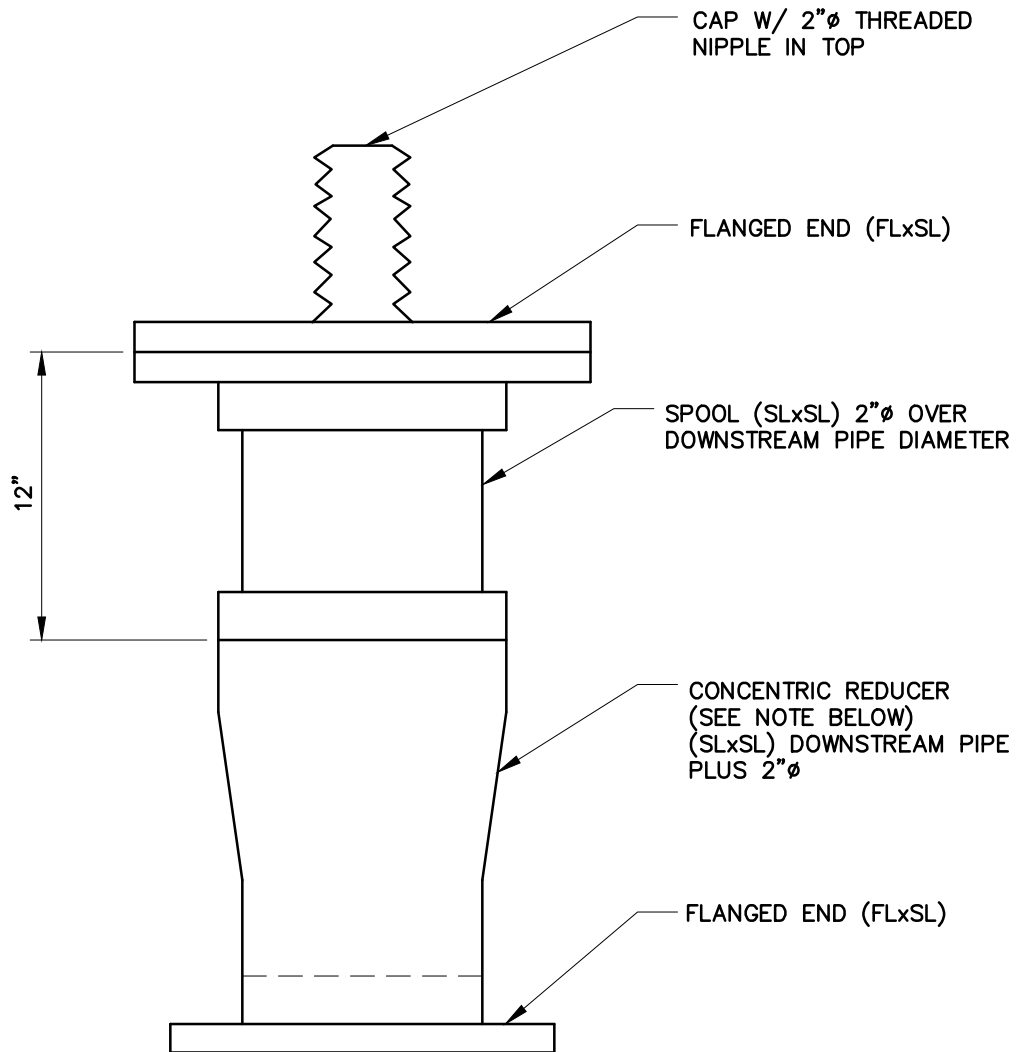
SCALE:  
N.T.S.



9/11/2015 4:01:22 PM, Revision Date

<b>CITY OF PACIFIC</b>			
<b>PRESSURE MAIN</b>			
<b>CLEANOUT (6" DIA. AND ABOVE)</b>			
APPROVED:			DWG. NO.
_____			PS-12B
BY CITY		DATE	
DATE:	DRWN:	CHKD:	SCALE:
7/03	PMX	XX	N.T.S.



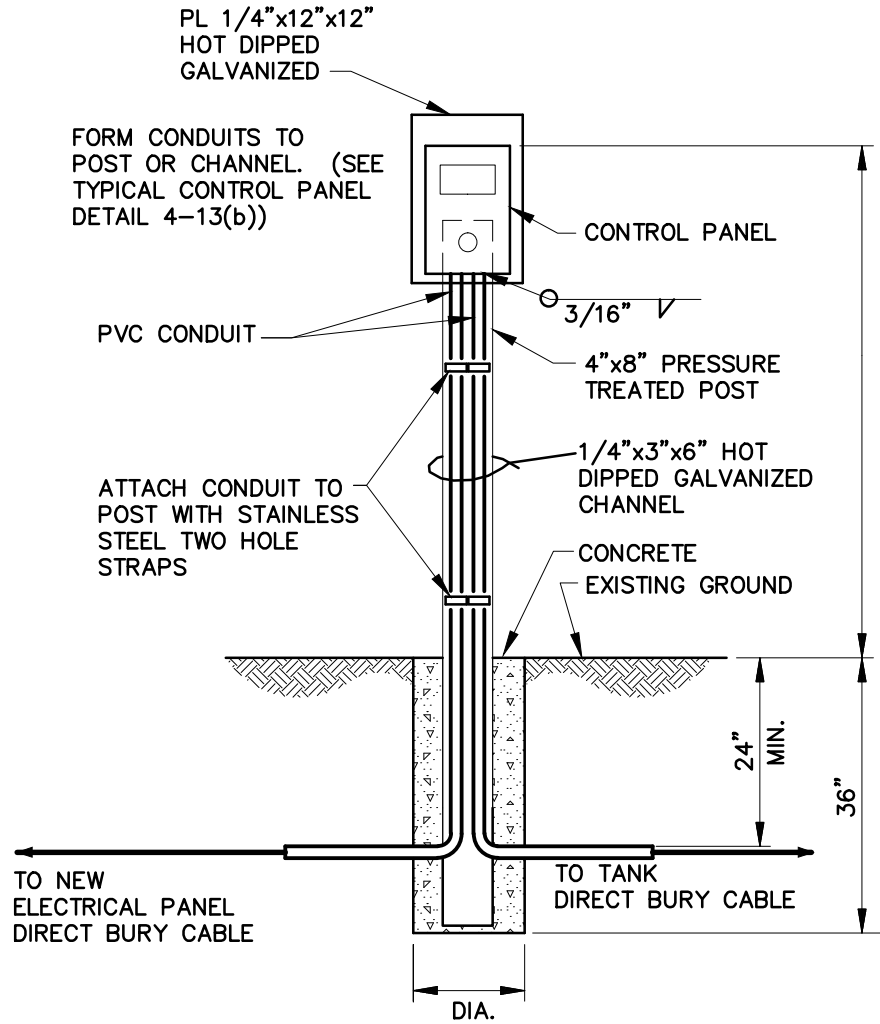


**NOTE:**

CONTRACTOR SHALL PROVIDE 1 LAUNCHER FOR EACH PIG PORT INSTALLED.  
 USE SCH 80 PVC UNO SOLVENT WELD ALL FITTINGS.

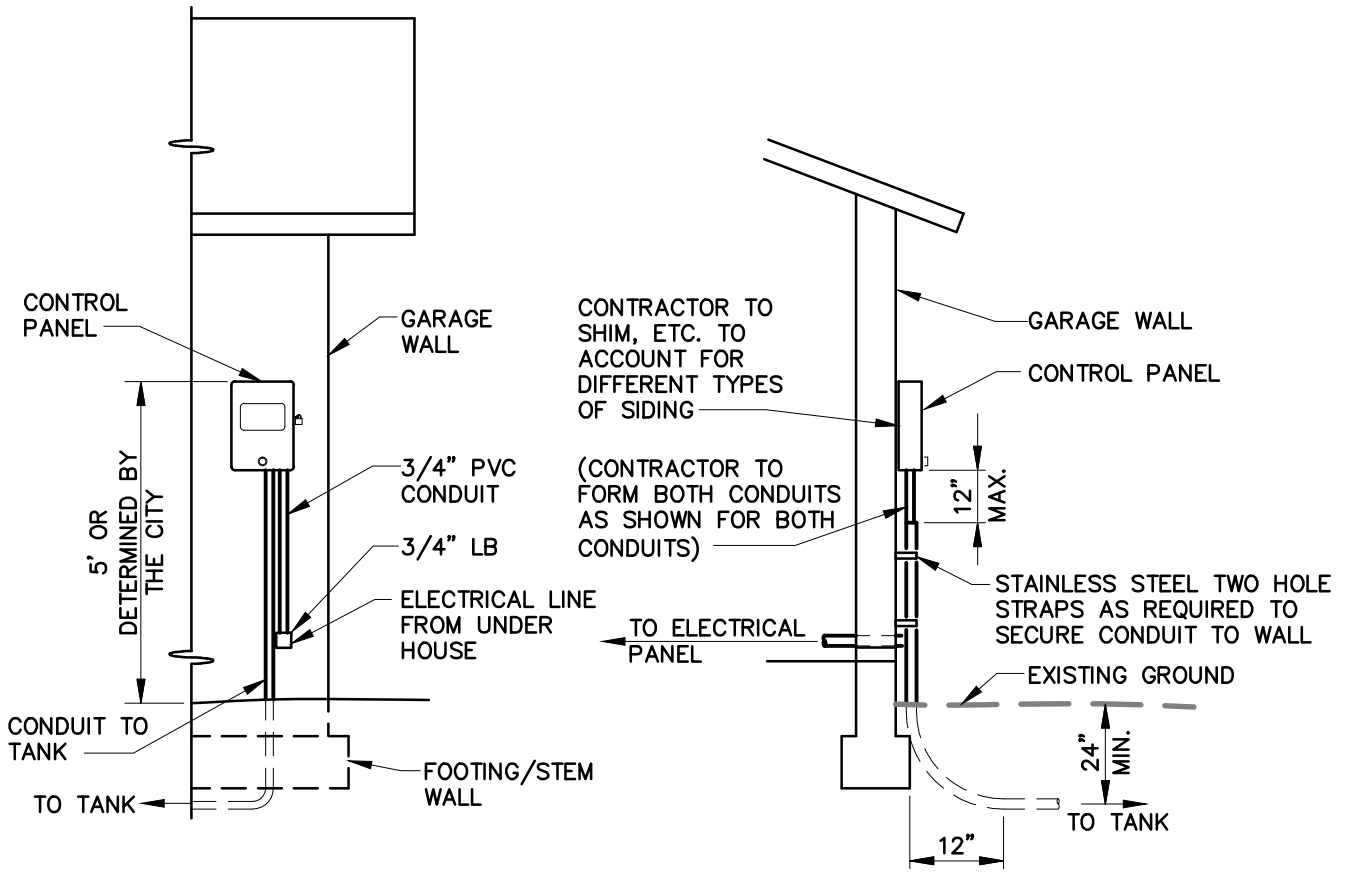
9/11/2015 4:02:20 PM, Revision Date

<b>CITY OF PACIFIC</b>			
<b>PRESSURE SEWER PIG LAUNCHER</b>			
APPROVED:  _____			DWG. NO.  PS-13
BY CITY		DATE	
DATE: 7/03	DRWN: PMX	CHKD: XX	SCALE: N.T.S.



9/11/2015 4:03:10 PM, Revision Date

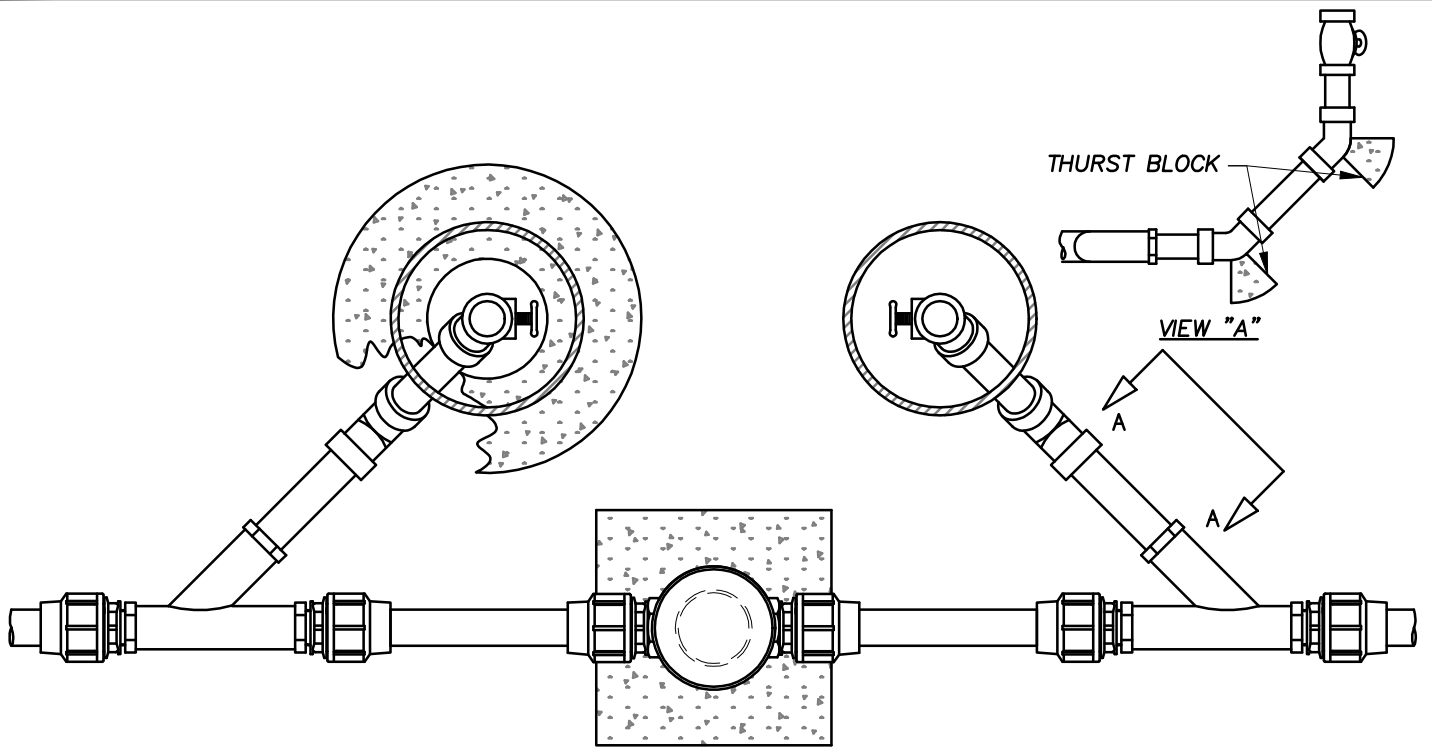
<b>CITY OF PACIFIC</b>			
<b>REMOTE POST – RESIDENTIAL CONTROL PANEL INSTALLATION</b>			
APPROVED:			DWG. NO.
_____			PS-14
BY CITY		DATE	
DATE:	DRWN:	CHKD:	SCALE:
7/03	PMX	XX	N.T.S.



\*LOCATION OTHER THAN GARAGE WALL OR REMOTE POST WILL BE CONSIDERED ON A CASE BY CASE BASIS.

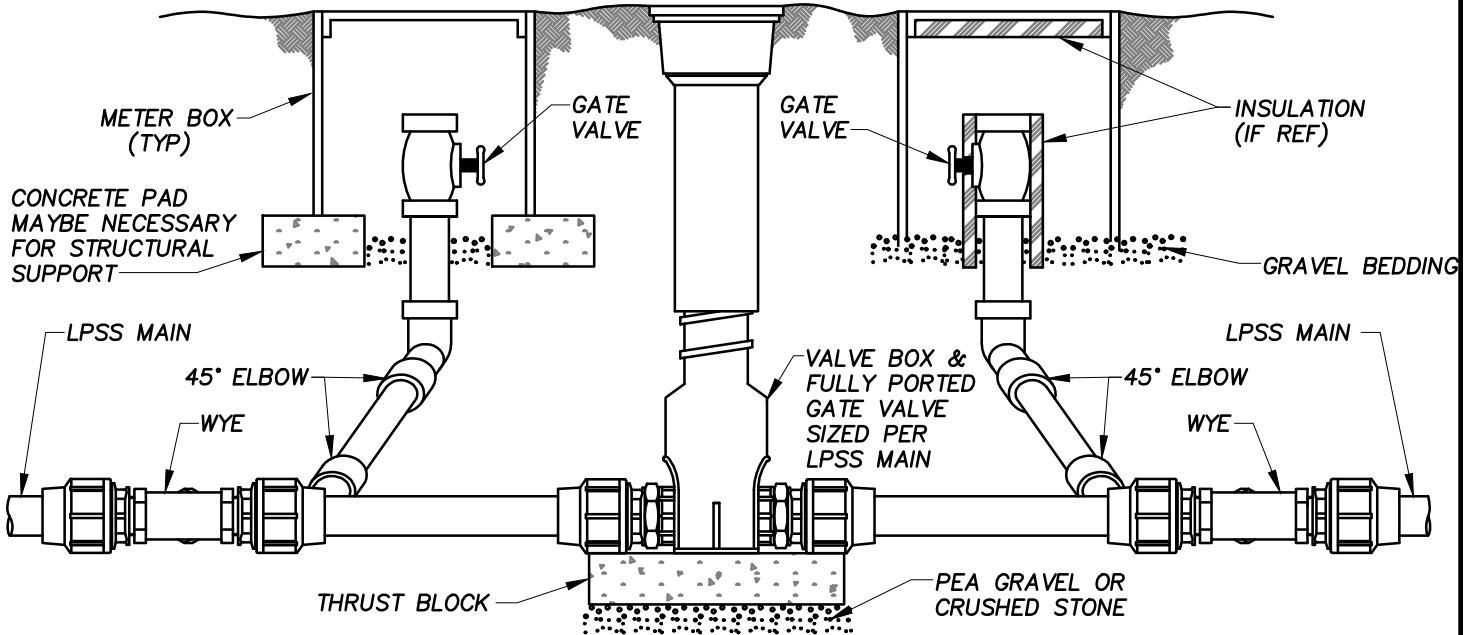
9/11/2015 4:04:03 PM, Revision Date

<b>CITY OF PACIFIC</b>			
<b>TYPICAL CONTROL PANEL INSTALLATION ON EXISTING HOUSE</b>			
APPROVED:			DWG. NO.
_____			PS-15
BY CITY		DATE	
DATE:	DRWN:	CHKD:	SCALE:
7/03	PMX	XX	N.T.S.



**PLAN VIEW**

NO SCALE



**FRONT VIEW**

NO SCALE

**CITY OF PACIFIC**

**TYPICAL FLUSHING CONNECTION**

APPROVED:

DWG. NO.

PS-16

BY CITY

DATE

DATE:

7/03

DRWN:

PMX

CHKD:

XX

SCALE:

N.T.S.