



RESIDENTIAL ATTACHED PATIO COVER GUIDE



COMMUNITY DEVELOPMENT DEPARTMENT • 345 N EL DORADO STREET • STOCKTON, CA 95202 • (209) 937-8561
www.stocktonca.gov/buildinginspection

PATIO COVER LIMITATIONS:

The following sample illustrations show how an attached unenclosed patio cover structure may be built using the “Conventional Light Wood-Frame Construction Guidelines” of the California Residential Code (CRC). These illustrations are only applicable to residential dwellings classified as R-3 occupancies. This handout is **not** intended to be used for room additions which require compliance with code provisions such as heating, waterproofing, and normal live and wind loads.

If the patio structure consists of simple designs similar to the sample illustrations a structural analysis/evaluation may not be required. Structures of unusual shape or design and for structures with tile roofing materials a structural analysis/evaluation by a California licensed Architect or Engineer will be required.

PERMIT REQUIREMENTS:

- A permit is required for **all** attached patio covers
- Permits are issued to either the property owner with a completed Owner/Builder form *or* to a California licensed contractor with a current City of Stockton Business License.
- Permits can be obtained at the Community Development Department Permit Center.
 - Located at 345 N. El Dorado St, Stockton, CA 95202
 - Office hours are from 8:00 a.m. to 4:30 p.m. Monday through Friday, closed alternate Fridays.

SUBMITTAL CHECKLIST:

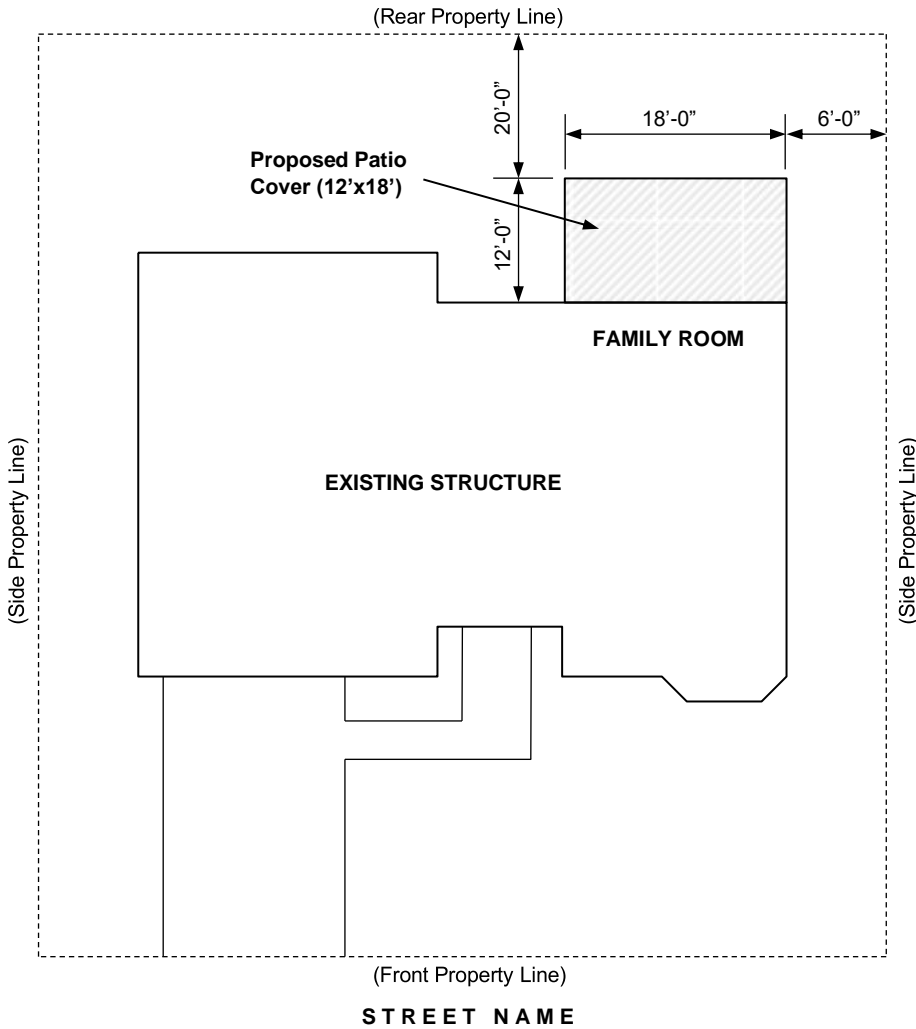
- A. [Building Permit Application](#)
- B. **Plans** – Electronic files including a site plan, floor/foundation plan, framing plans & details
- C. [Owner/Builder Form](#) (if applicable)
- D. Authorization Letter from the licensed contractor for the individual picking up the permit (if applicable)

Electronic files shall be formatted in accordance with our Electronic Plan Check Guide which can be found on our website here: <http://www.stocktonca.gov/government/departments/permitCenter/buildProcPlan.html>

SETBACK AND LOT COVERAGE REQUIREMENTS:

Setbacks: Attached patio covers shall conform to the same setback requirements as the main structure. In “RL” zone the front setback is 20 feet from the property line, the rear and street side setback is 10 feet from the property line, and the non-street side setback is 5 feet from the property line. **Note:** Patio covers with an overhang less than 5 feet from the property line will require fire-rated construction.

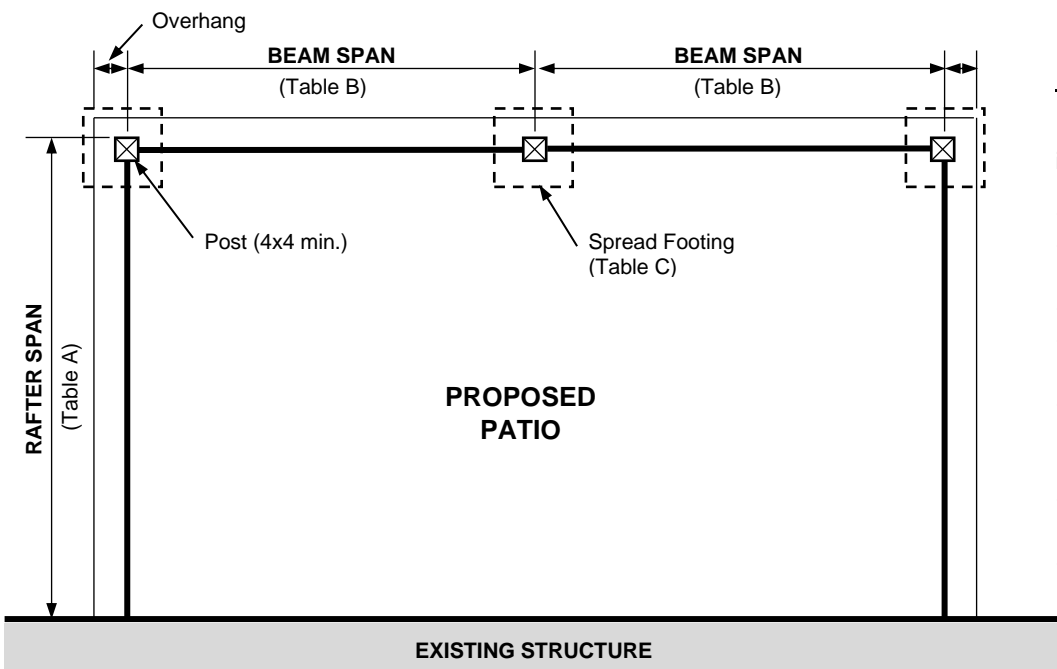
Lot Coverage: The maximum area of a lot that may be covered by all primary and accessory structures over 30 inches in height (house, garage, patio cover, etc.) is fifty (50) percent for residential zones.



SITE PLAN REQUIREMENTS:

Site Plans should be drawn to scale and include the following information about the property

- Property owner's name
- Street Address
- Assessor's Parcel Number (A.P.N.)
- Scope of work
- Designer of record
- Lot dimensions and easements
- Size and location of existing and proposed structures, including pool/spa
- Distance between new patio cover and property lines
- Total covered area square footage



FLOOR PLAN REQUIREMENTS:

Floor plans should be drawn to scale and include the following information

- Dimensions for the proposed patio cover
- Distance between posts (beam span) – see Table B on page 3
- Size of posts
- Proposed floor material (concrete, pavers, etc.)
- Footing size and type (isolated spread footing or continuous) – see Table C on page 3
- Depth of patio cover (rafter span) – see Table A on page 3
- Overhang dimension

TABLE A – Allowable Spans for Rafters (Live Load = 20 psf, Dead Load = 10 psf)			
Rafter Span (feet)	Rafter Spacing (center to center)		
	12 Inches	16 Inches	24 Inches
10	2 x 6	2 x 6	2 x 6
11	2 x 6	2 x 6	2 x 6
12	2 x 6	2 x 6	2 x 8
13	2 x 6	2 x 8	2 x 8
14	2 x 8	2 x 8	2 x 10
15	2 x 8	2 x 8	2 x 10
16	2 x 8	2 x 8	2 x 10
17	2 x 8	2 x 10	2 x 10
18	2 x 8	2 x 10	2 x 12
19	2 x 8	2 x 10	2 x 12
20	2 x 10	2 x 10	2 x 12

NOTES:

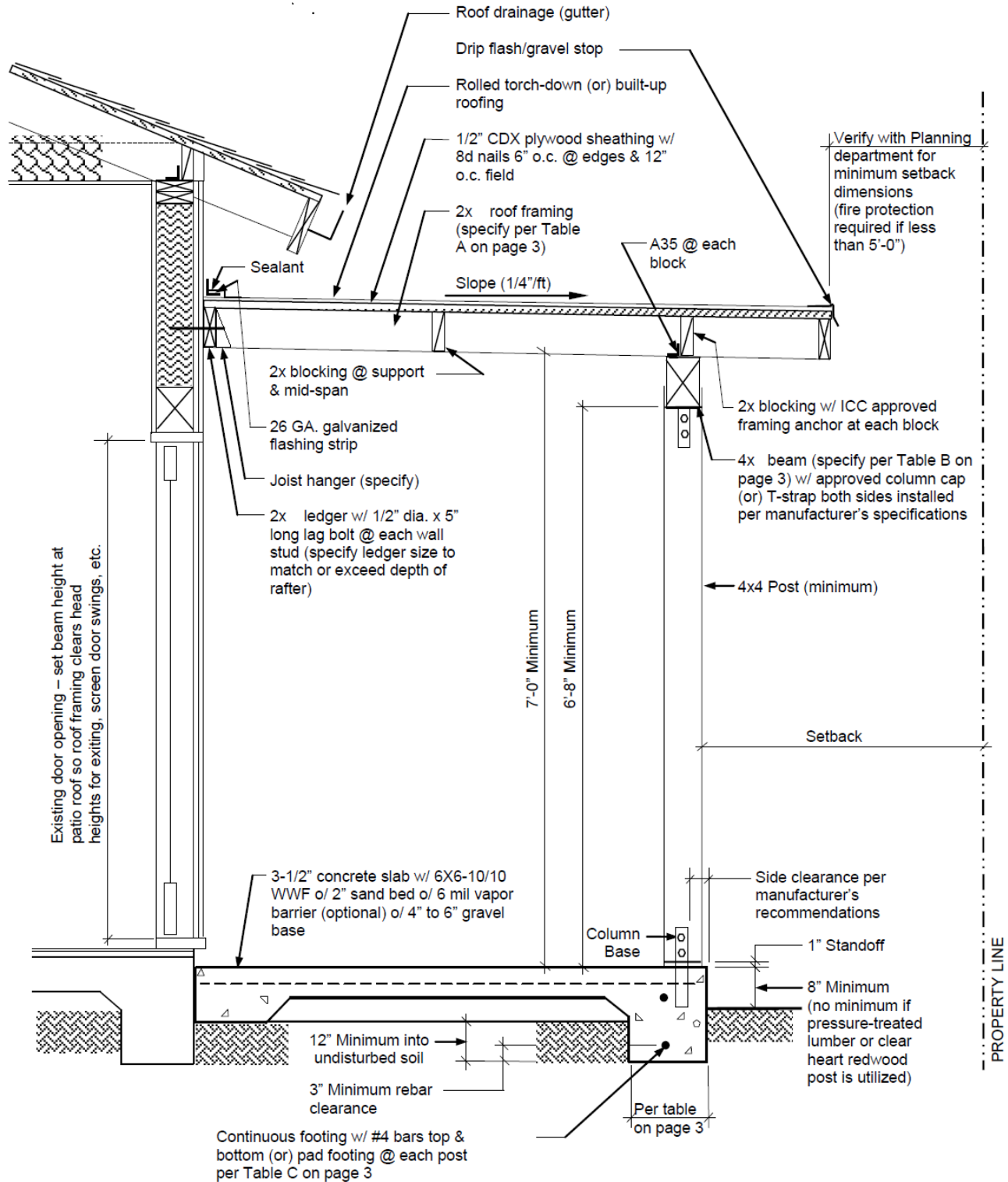
1. The rafter and beam span tables are based on Douglas Fir-Larch #2 or better.
2. Concrete pad footings shall have minimum reinforcement of #4 bars @ 12" O.C. max. each way. Continuous footings shall have #4 bars top and bottom. Reinforcement shall be located 3" clear from the bottom of the footings.
3. The minimum roof pitch for asphalt shingles is 2:12 provided that two layers of type 15 felt are applied. One layer of felt required for slopes of 4:12 or greater.
4. Plywood or particle board sheathing must be CC exterior or better. Nailing shall be a minimum of 8d at 6" O.C. on the edges and 6" O.C. in the field.
5. **The details in this handout are not meant to be used for concrete tile roof coverings. An engineered design will be required.**
6. Concrete patio slabs shall have a minimum thickness of 3-1/2", all concrete shall have a minimum compressive strength of 2500 psi at 28 days.

TABLE B – Allowable Spans for Beams (Live Load = 20 psf, Dead Load = 10 psf)								
Post Spacing (feet)	Rafter Spans (feet)							
	6	8	10	12	14	16	18	20
4	4 x 6	4 x 6	4 x 6	4 x 6	4 x 6	4 x 6	4 x 6	4 x 6
6	4 x 6	4 x 6	4 x 6	4 x 6	4 x 6	4 x 6	4 x 6	4 x 6
8	4 x 6	4 x 6	4 x 6	4 x 6	4 x 8	4 x 8	4 x 8	4 x 8
10	4 x 6	4 x 8	4 x 8	4 x 8	4 x 10	4 x 10	4 x 10	4 x 10
12	4 x 8	4 x 8	4 x 10	4 x 10	4 x 10	4 x 12	4 x 12	4 x 12
14	4 x 8	4 x 10	4 x 10	4 x 12	4 x 12	4 x 12	4 x 14	4 x 14
16	4 x 10	4 x 10	4 x 12	4 x 12	4 x 14	4 x 14	-----	-----
18	4 x 10	4 x 12	4 x 12	4 x 14	-----	-----	-----	-----
20	4 x 12	4 x 14	4 x 14	-----	-----	-----	-----	-----

TABLE C – Minimum Footing Size (inches sq. x 12 inches deep minimum)								
Post Spacing (feet)	Rafter Spans (feet)							
	6	8	10	12	14	16	18	20
4	12"	12"	12"	12"	12"	12"	12"	12"
6	12"	12"	12"	12"	12"	12"	12"	12"
8	12"	12"	12"	12"	12"	14"	16"	16"
10	12"	12"	12"	14"	14"	14"	16"	16"
12	12"	12"	14"	16"	16"	16"	18"	18"
14	12"	12"	14"	16"	16"	18"	18"	20"
16	12"	14"	14"	16"	16"	18"	20"	20"
18	12"	14"	16"	18"	18"	20"	20"	24"
20	14"	14"	16"	18"	20"	20"	24"	24"

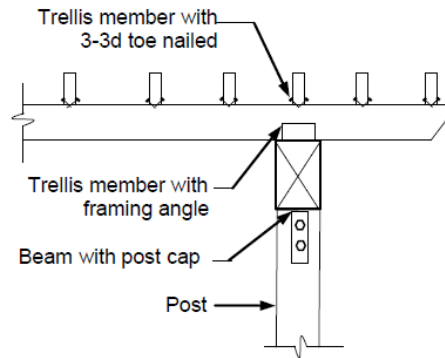
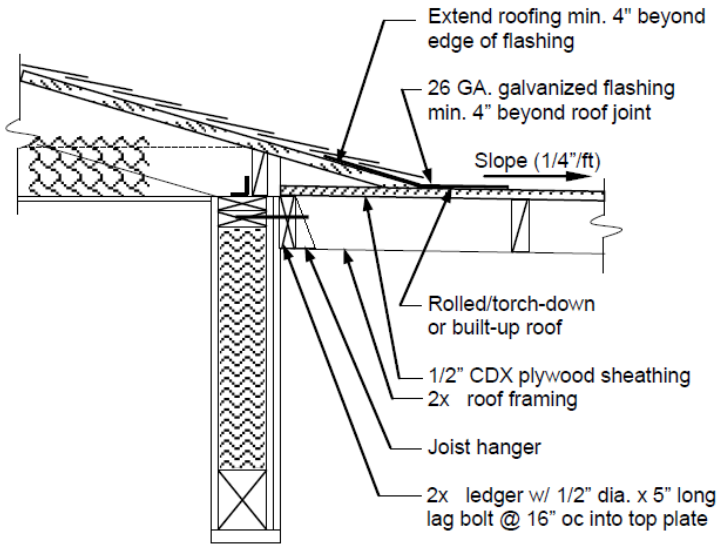
TYPICAL CROSS SECTION

(Refer to tables on page 3 for member and footing sizes)



REQUIRED DETAILS

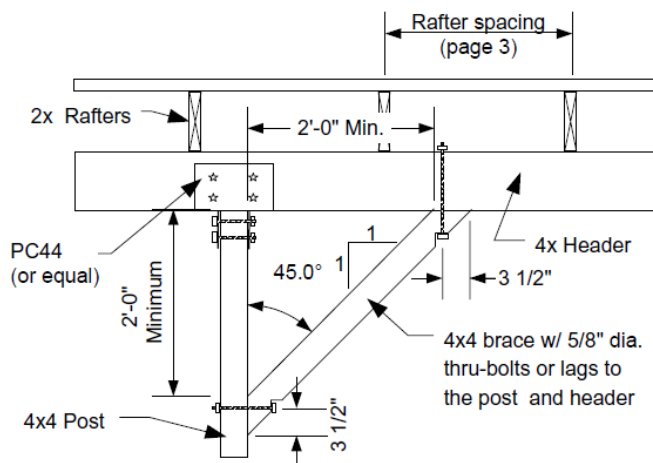
(Refer to tables on page 3 for member and footing sizes)



ALTERNATE CONNECTION DETAIL

(Typical for patio covers)

TRELLIS DETAIL



LATERAL BRACING DETAIL

(Required at each post)