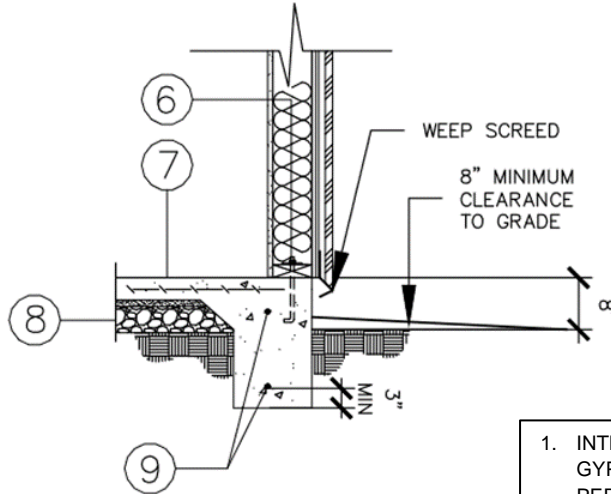
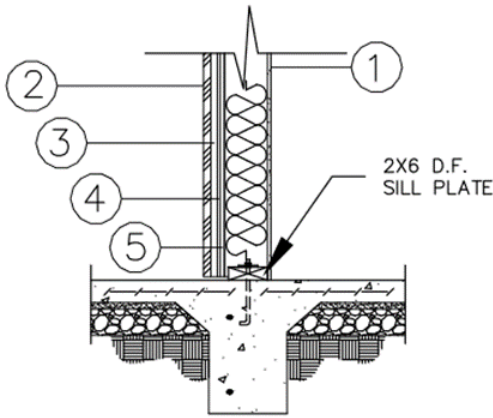


B

SAMPLE CONVENTIONAL CONSTRUCTION DETAILS

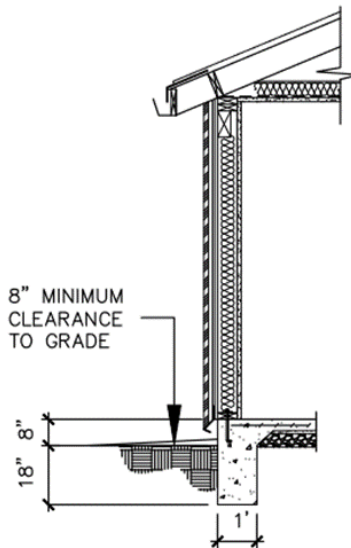
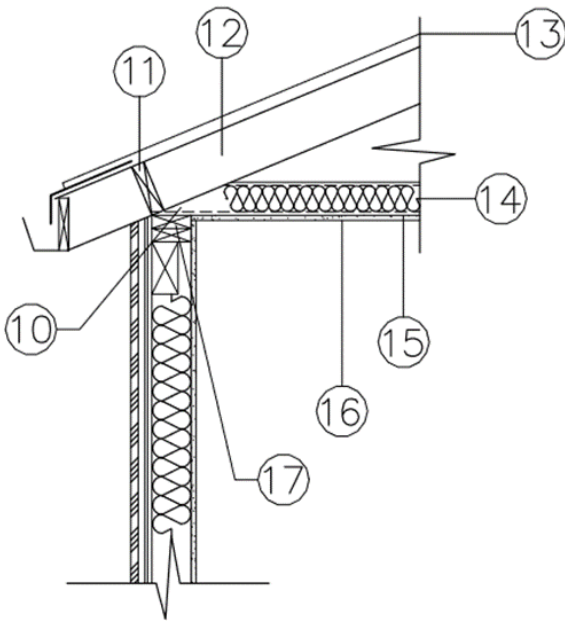


COMMUNITY DEVELOPMENT DEPARTMENT • 345 N EL DORADO STREET • STOCKTON, CA 95202 • (209) 937-8561
 www.stocktonca.gov/buildinginspection



1 INTERIOR BEARING FOOTING
 SCALE: 1/2" = 1'-0"

2 EXTERIOR BEARING FOOTING
 SCALE: 1/2" = 1'-0"



3 EAVE DETAIL
 SCALE: 1/2" = 1'-0"

4 SLAB FLOOR CONSTRUCTION FOOTING
 SCALE: 1/4" = 1'-0"

1. INTERIOR WALL FINISH - 1/2" GYPSUM BOARD APPLIED PERPENDICULAR
2. EXTERIOR FINISH (STUCCO OR SIDING)
3. R-4 RIGID INSULATION
4. VAPOR BARRIER
5. 3/8 PLYWOOD SHEATHING OR OSB
6. 1/2" DIAMETER X 10" ANCHOR BOLT W/ 3" X 3" X 1/4" SQUARE WASHER, TYP.
7. 4" CONCRETE SLAB 2,500 PSI MINIMUM REINFORCED WITH A MINIMUM OF 6X6 #10 GAUGE WELDED WIRE REINFORCING MESH CENTERED IN SLAB OVER 10MIL VAPOR BARRIER, OVER 2" SAND, OVER 4" AGGREGATE BASE
8. 4" SAND/ GRAVEL MINIMUM
9. 1 #4 TOP & BOTTOM CONT. 24" OVERLAP AT ALL SPLICES
10. SIMPSON A-35 @ 24" O.C.
11. 2X8 D.F. #2 BLOCKING W/ 8d NAILS @ 6" O.C.
12. RAFTERS 2X8 @ 24" O.C. OR PRE-MANUFACTURED TRUSSES
13. ROOF SHEATHING 1/2" OSB OR PLYWOOD SHEATHING
14. R-38 FIBERGLASS INSULATION
15. BOTTOM TRUSS CORD OR CEILING JOIST
16. 5/8" GYPSUM BOARD APPLIED PERPENDICULAR @ CEILING
17. DOUBLE TOP PLATE (MIN. 48" SPLICE) WITH 12 (16D) NAILS @ EACH SIDE OF SPLICE.